

# RF200R Self Cleaning Intake Filter

From £910.00 (GBP)



RF200R Self-cleaning Pump Intake Filter

The Rotorflush RF200R is a coarse screened self-cleaning strainer that connects to the suction hose of surface mounted pumps. The RF200R is fitted with a single sheet of perforated stainless steel mesh which forms the filter cage. Standard perforated mesh sizes are 3mm and 6mm. The RF200R filters have a capacity of up to 220 litres per minute.

All our filters have an internal cleaning rotor that is water powered by taking a 'T' off the output of your pump to supply the Rotorflush internal rotors. This water supply continuously backwashes the perforated screen pushing away anything that might cause it to block or blind.

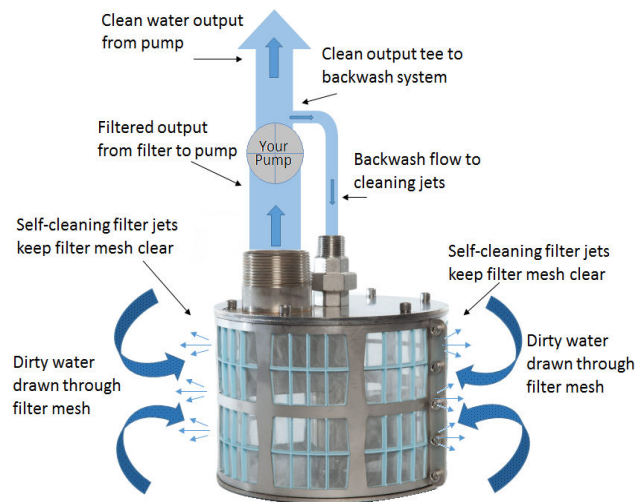
These filters can operate in very dirty water and are ideal for use where there is a need to filter coarsely to protect pumps and other downstream equipment.

## Key Features

- Stainless Steel filter mesh
- Filters from 1mm to 6mm
- High reliability and easy to use
- Works with most centrifugal and progressive cavity pumps
- 14 cubic metres per hour maximum flow
- Reduced capital, installation and maintenance costs
- All Stainless Steel construction
- Protects pumps and other equipment
- For use in dirty water.

## Description

### RF200R Self-cleaning Pump Intake Filters



Rotorflush RF200R self-cleaning strainer provides protection against blockage for surface mounted pumps and other connected equipment. These are coarse screened stainless steel dirty water suction intake filters with a capacity of up to 220 litres / minute (14 m<sup>3</sup> per hour), capable of filtering from 1mm to 6mm.

The RF200R strainer can be fitted with 1mm or 2mm woven stainless steel mesh, or 3mm or 6mm perforated steel. Both versions are very strong, low maintenance strainers, requiring only the occasional jetwash to keep them running.

These filters use a proportion of the pump's output to supply a feed to an internal backwashing rotor. This supply is taken off the already filtered pump output. The twin jets of the cleaning rotor rotate at about 60 rpm in each filter, clearing the whole screen every ½ second. As the cleaning mechanism is on the filtered side of the screen debris in the water will not obstruct the mechanism.

Approximately 25% of the pump output is required to supply the cleaning rotor.

For a larger capacity (up to 1000 litres per minute) please consider our RF400AR self-cleaning filter – up to 1000 litres per minute. All our filters and strainers use the same patented technology, providing efficient self-cleaning backwash to keep their filter mesh clear for a range of flow rates.

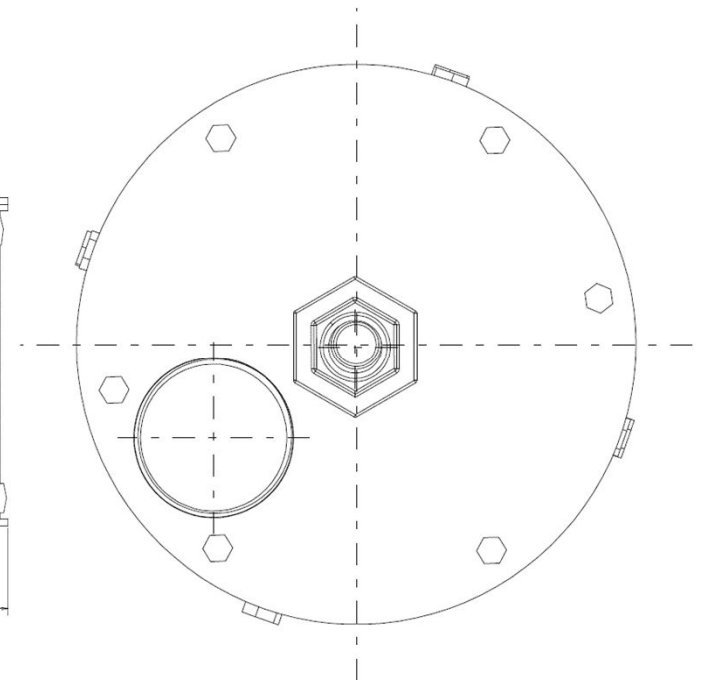
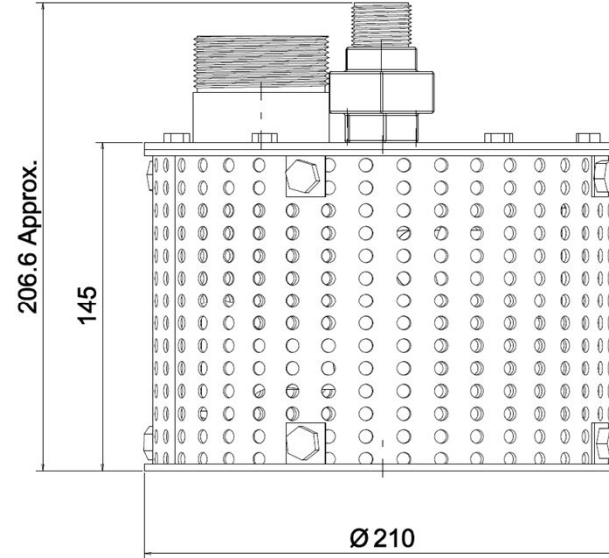
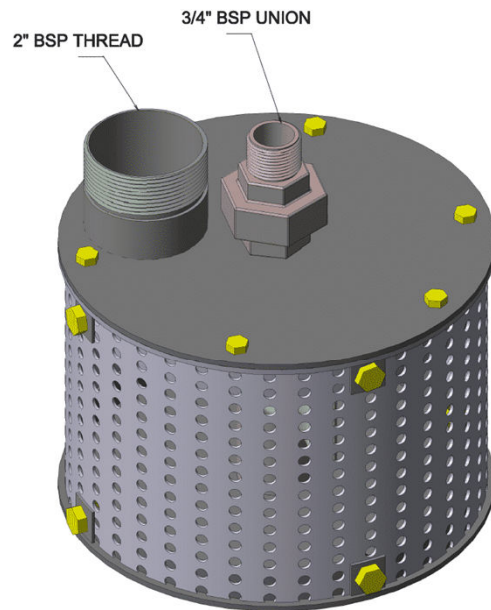
Alternatively, where your pump output is variable or your pump has a variable speed drive you may wish to use RF-AE & RE series filters with backwash pumps.

## Models & Specifications

General Characteristics	RF200R Self-cleaning Strainer
Water supply to cleaning rotor	Tapped from outside of main pump
Maximum pump output (m <sup>3</sup> /hour)	14
Standard screen mesh aperture (mm)	1mm or 2mm woven, 3mm or 6mm perforated stainless steel mesh
Dimensions (diameter x height) (mm)	210 x 206
Weight (kg)	5
Suction pipe connection	2 inch BSP
Return pipe connection	0.75 inch BSP
Flow returned to filter for back-washing	75 litres / minute @ 0.4 bar



## RF200R Self-cleaning Pump Intake Dimensions



## RF200R Self-cleaning Pump Intake Construction



Note: 316 marine grade stainless steel is an option for all RF200 filters

Component	Material
Filter cage and lid	304 Stainless Steel
Central turbine	304 Stainless Steel
Jets	Food grade natural rubber
Bearings	Acetal copolymer
Standard screen	3mm or 6mm perforated 304 stainless steel 1mm or 2mm woven 316 stainless steel mesh

**Please Note:** Our filters are designed for use in dirty water or liquids with a viscosity close to that of water. Our filters and filterpumps are **NOT** suitable for use in raw sewage or any other dirty water which contains oils or fat.

## Ordering

### Rotorflush RF200R Self-cleaning Filters – up to 220 litres per minute

Rotorflush Filter Model No	Price £ (GBP – exc. VAT)
RF200R perforated 316 stainless steel mesh	£910.00 (GBP)
RF200R woven stainless steel mesh	£1,010.00 (GBP)

Please state filter mesh size:

3mm or 6mm perforated stainless steel mesh, or 1mm or 2mm woven stainless steel mesh

Standard fittings are 2 inch BSP outlet, and ¾ inch BSP inlet to the backwash.

If NPT connections are required please state when ordering and we can fit adaptors.

**Please note:**

**Delivery is by carrier and is usually between 3 and 7 days from order depending on product and availability.**

**Carriage and packing charges are extra.**

**Can't find what you need? Want to talk with us directly?**

**We're here to help. Call us on +44(0) 1297 560229**

