

Rotorflush Sapphire 400 Range Self-cleaning Filterpumps

General Specifications

General Arrangements



Key Features

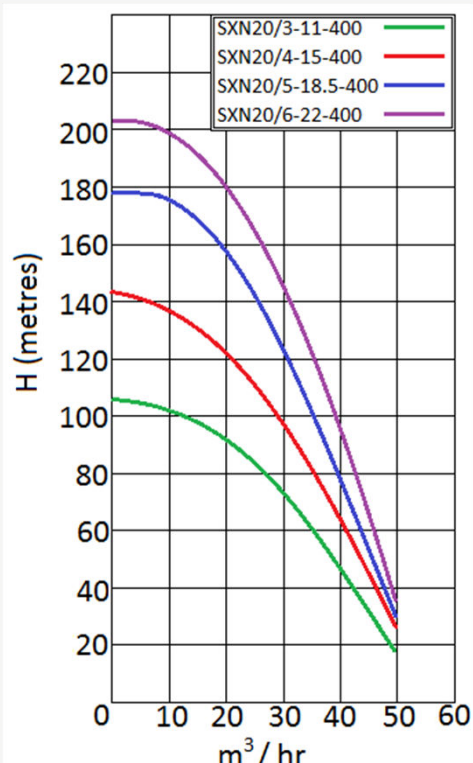
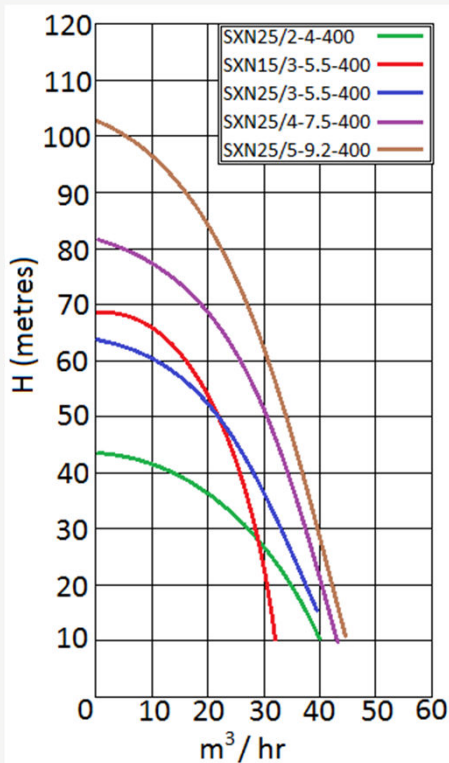
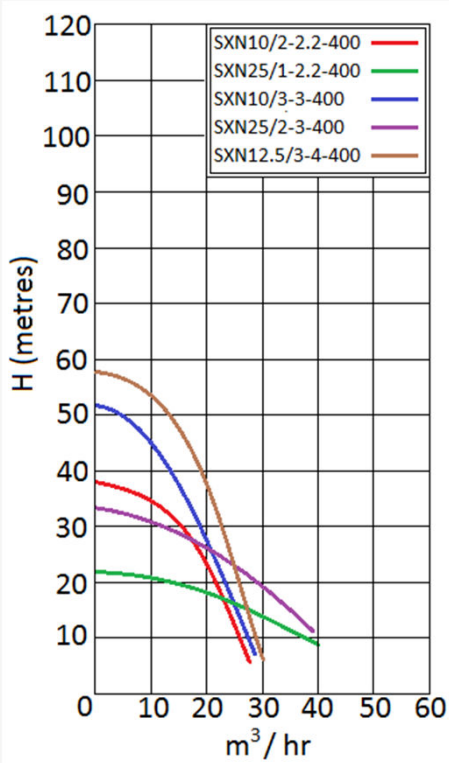
- Cast iron motor casing
- Stainless steel intake and filter mesh
- Internal overload monitoring (thermal cutout)
- High pressure (up to 20 bar)
- Filter mesh 300 micron to 3mm
- Very low maintenance filtration
- 60 cubic metres per hour maximum flow
- Operates down to 20m depth
- 15m cable (longer cable can be fitted))
- Reduced capital, installation and maintenance

Rotorflush Sapphire 400 Range Self-cleaning Filterpumps

General Specifications

Models and Specifications

Model	Volts	kW	Rated Current Amps	Outlet (mm)	Max m ³ /hr	Max Head (m)
SXN10/2-2.2-400	400	2.2	5.4	50	28	38
SXN25/1-2.2-400	400	2.2	5.4	65	37	23
SXN10/3-3-400	400	3.0	7.2	50	28	51
SXN25/2-3-400	400	3.0	7.2	65	37	33
SXN12.5/3-4-400	400	4.0	8.8	50	30	57
SXN25/2-4-400	400	4.0	8.8	65	40	43
SXN15/3-5.5-400	400	5.5	11.7	50	32	67
SXN25/3-5.5-400	400	5.5	11.7	65	40	64
SXN25/4-7.5-400	400	7.5	15.7	65	42	84
SXN25/5-9.2-400	400	9.2	19.1	65	44	104
SXN20/3-11-400	400	11.0	22	65	50	106
SXN20/4-15-400	400	15.0	31	65	50	452
SXN20/5-18.5-400	400	18.5	37.2	65	50	178
SXN20/6-22-400	400	22.0	45	65	50	204



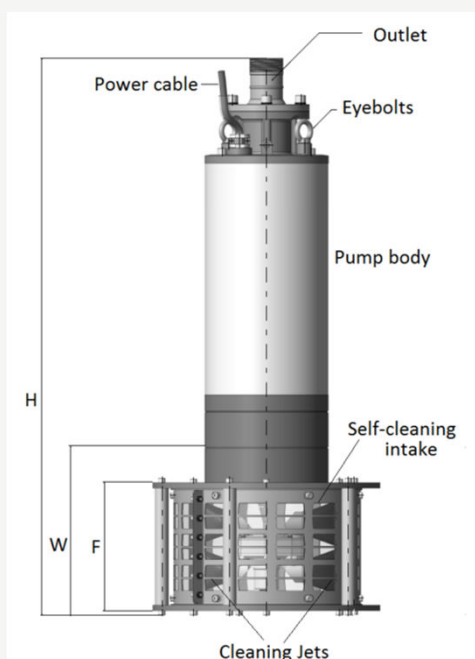
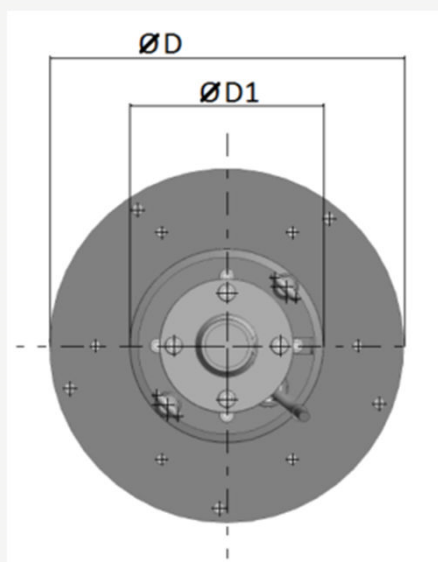
Rotorflush Sapphire 400 Range Self-cleaning Filterpumps

General Specifications

Dimensions and Weights

Model	Height (mm) H	Filter Diameter (mm) D	Filter Pump Diameter (mm) D1	Filter Height (mm) F	Weight (kg)	Minimum Water Level (mm) W
SXN10/2-2.2-400	785	420	196	282	93	540
SXN25/1-2.2-400	745	420	196	282	87	540
SXN10/3-3-400	830	420	196	282	102	540
SXN25/2-3-400	800	420	196	282	97	540
SXN12.5/3-4-400	865	420	196	282	107	540
SXN25/2-4-400	830	420	196	282	104	540
SXN15/3-5.5-400	910	420	196	282	115	540
SXN25/3-5.5-400	935	420	196	282	118	540
SXN25/4-7.5-400	1055	420	196	282	132	540
SXN25/5-9.2-400	1140	420	196	282	146	540
SXN20/3-11-400	1125	420	274	282	218	540
SXN20/4-15-400	1222	420	274	282	250	540
SXN20/5-18.5-400	1296	420	274	282	275	540
SXN20/6-22-400	1423	420	274	282	322	540

*Dimensions and weights are approximate



Rotorflush Sapphire 400 Range Self-cleaning Filterpumps

General Specifications

Self-cleaning Filterpump Construction

Filterpump Body	
Component	Construction
Outer Casing	Stainless Steel
Impeller	Cast Iron
Bearings	Ball Bearing
Cable	H07RN-F
Double Mechanical Seal	Sic/Sic

Self-cleaning Filter Construction	
Filter Screen Area	2500cm ²
Standard Screen Sizes	300 micron, 315 micron, 1mm, 2mm, and 3mm
Filter mesh	Nylon mesh, polypropylene insert (300 micron) Sintered stainless steel mesh (315 micron) Stainless steel woven mesh (1mm and 2mm) Stainless steel perforated mesh (3mm)
Impeller Extension Shaft	Stainless Steel
Impeller	Stainless steel
Rotor	ABS (Acrylonitrile Butadiene Styrene)
Rotor Bearings	Silicon Carbide
Filter Cage	Stainless Steel
Cleaning Jets	Natural Rubber Jets, Stainless Steel Clips