

Rotorflush Jasper 400 Range Self-cleaning Filterpumps

General Specifications

General Arrangements



*Above shows Jasper T55-400AR
Fitted with 2mm Stainless Steel
mesh*

Key Features

- Removes suspended solids down to 100 microns
- Pump and self-cleaning filter in one unit
- Ease of installation
- High reliability and easy to use
- 35 metre maximum head
- 110m³/hour maximum flow
- Internal thermal overload protection
- Reduced capital, installation and maintenance costs

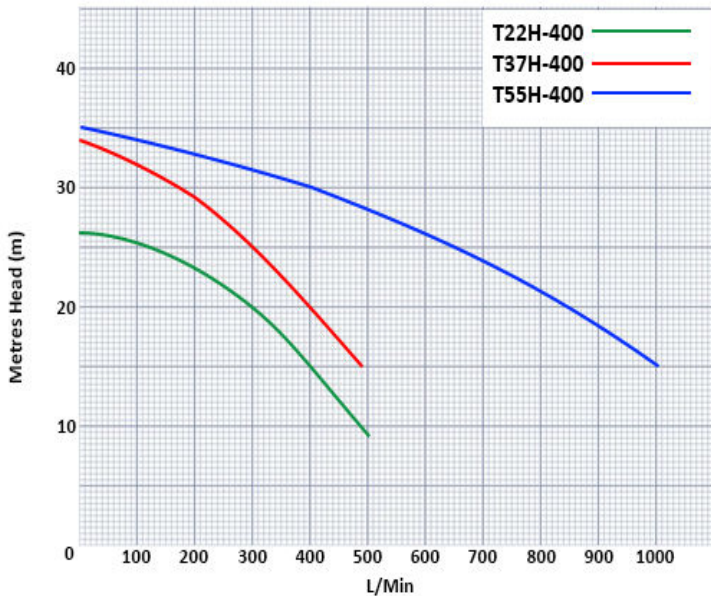
Rotorflush Jasper 400 Range Self-cleaning Filterpumps

General Specifications

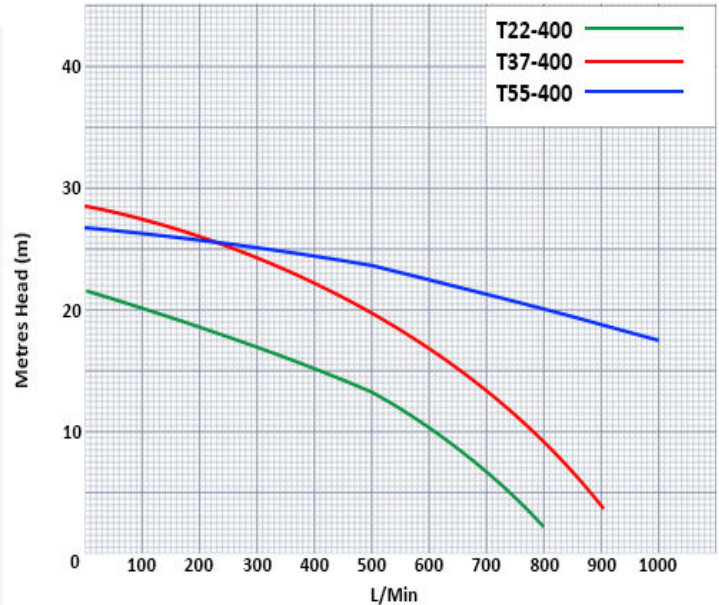
Models and Specifications

Model	Volts	kW	Outlet	Max L/min	Max Head (m)	60Hz option	Phase
Jasper T22-400	415	2.2	3" or 4"	800	21	Y	3
Jasper T37-400	415	3.7	3" or 4"	900	29	Y	3
Jasper T55-400	415	5.5	4"	1000	29	Y	3
Jasper T22H-400	415	2.2	2" or 3"	500	26	Y	3
Jasper T37H-400	415	3.7	2" or 3"	500	34	Y	3
Jasper T55H-400	415	5.5	3" or 4"	1000	35	Y	3

Jasper Medium Head Performance Curves



Jasper Low Head Performance Curves



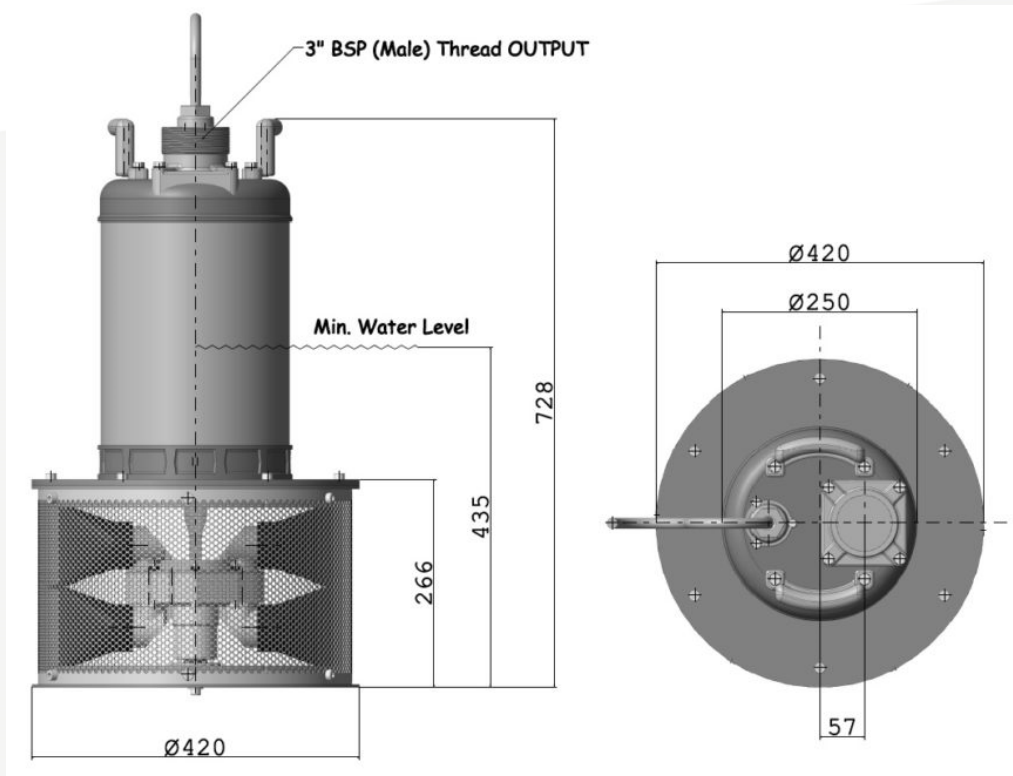
Rotorflush Jasper 400 Range Self-cleaning Filterpumps

General Specifications

Dimensions and Weights

Model	Height (mm)	Filter Diameter (mm)	Filter Pump Diameter	Filter Height (mm)	Weight (kg)	Minimum Water Level
Jasper T22-400 / T22H-400	728	420	250	220	70	435
Jasper T37-400 / T37H-400	733	420	250	220	75	435
Jasper T55-400 / T55H-400	838/798	420	250	220	90	435

*Dimensions and weights are approximate



Rotorflush Jasper 400 Range Self-cleaning Filterpumps

General Specifications

Self-cleaning Filterpump Construction

Filterpump Body	
Component	Construction
Body	Stainless Steel
Impeller	Ductile Iron
Power Cable	10m PVC
Motor Shaft	Stainless Steel
Seal	Silicon / Carbon

Self-cleaning Filter Construction	
Filter Screen Area	2500cm ²
Standard Screen Sizes	100 & 315 micron, 1mm 2mm, 3mm and 6mm (others sizes can be fitted)
Filter mesh	Stainless steel sintered, woven or perforated mesh
Impeller Extension Shaft	Stainless Steel
Impeller	Stainless steel
Rotor	ABS (Acrylonitrile Butadiene Styrene)
Rotor Bearings	Silicon Carbide
Filter Cage	Stainless Steel
Cleaning Jets	Natural Rubber Jets, Stainless Steel Clips