



# RF600 Self-cleaning Intake Strainer for dirty water screening

From £3,910.00 (GBP)



The RF600 self-cleaning intake strainers provide industrial strength, low maintenance filtration for surface mounted pumps. They are coarse screened filters fitted with 1mm - 6mm stainless steel mesh screens.

The RF600s are extremely tough stainless steel self-cleaning basket filters that protect pumps and other connected equipment from blocking and blinding when pumping dirty water.

Our award winning self-cleaning mechanism in the filters provides a continuous backwash keeping the filter mesh free of weed, debris and other suspended solids.

The RF600s can handle 90m<sup>3</sup> to 480 m<sup>3</sup> per hour.

## Key Features

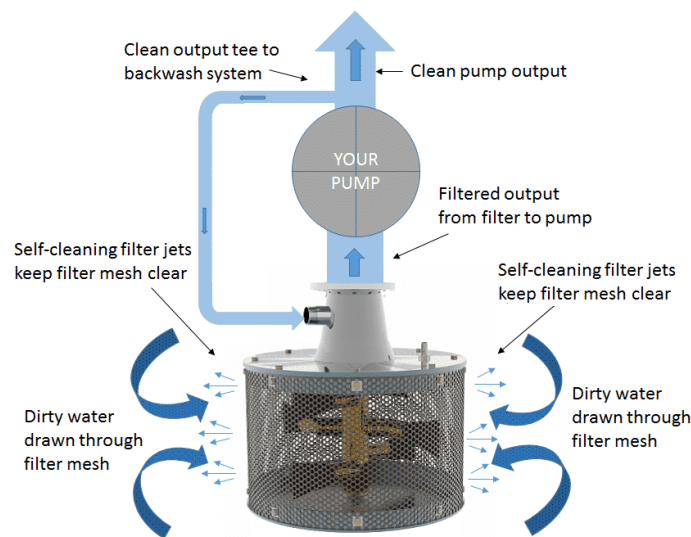
- Stainless steel filter mesh
- Filters from 1mm to 6mm
- Reliable and easy to install and use
- Works with most centrifugal and progressive cavity pumps
- 480 cubic metres per hour maximum flow
- Capital, installation and maintenance costs reduced
- All stainless steel construction
- Option for marine grade steel.

# RF600 Self-cleaning Intake Strainer for dirty water screening

From £3,910.00 (GBP)

## Description

### RF600 Self-cleaning Intake Strainer



The RF600 Self-cleaning Intake Strainer for attachment to the suction hose of surface mounted pumps. These all stainless steel construction mechanical filters are built to last and self-clean they combine industrial strength filtration with exceptionally low maintenance.

The RF600R series can deliver from 1,500 litres per minute to a maximum of up to 4,580 litres per minute (90 m<sup>3</sup>/ hr - 275 m<sup>3</sup>/ hr) through perforated mesh screens (3mm and 6mm).

The RF600AR series can deliver from 2,300 litres per minute to a maximum of up to 8,000 litres per minute (140 m<sup>3</sup>/ hr – 480 m<sup>3</sup>/ hr) through woven steel mesh screens (1mm – 6mm).

Rotorflush self-cleaning filters use a proportion of your pump's output to supply a feed to an internal backwashing rotor. They are powered by taking a 'T' off the already filtered pump output to supply the Rotorflush internal rotors. The cleaning rotors continuously backwash the mesh screen blowing away anything that might cause it to block.

All our filters and strainers use the same patented technology, providing efficient self-cleaning backwash to keep their filter mesh clear. These filters operate at source in very dirty water, reducing the need for settlement tanks or expensive inline filter systems.

There are five models both RF600R and RF600AR self-cleaning intake strainers offering a broad range of capacities.

Rotorflush filters can customise these filters to suit particular applications. Please contact us to discuss your requirements.



# RF600 Self-cleaning Intake Strainer for dirty water screening

From £3,910.00 (GBP)

## Models & Specifications

### RF600 Self-cleaning Intake Strainer – General

Capacity RF600R Models	RF600-200R	RF600-300R	RF600-400R	RF600-500R
Maximum output (m <sup>3</sup> / per hour)	90	130	180	225
Standard screen aperture (mm)	All RF600R Filters – 3.0mm or 6.0mm perforated stainless steel			
Capacity RF600AR Models	RF600-200AR	RF600-300AR	RF600-400AR	RF600-500AR
Maximum output (m <sup>3</sup> / per hour)	140	210	280	350
Maximum output @ 0.1 m / sec intake velocity for Eel Regs and EPA Rule 316(b)	60	90	120	150
Standard screen aperture (mm)	All RF600AR Filters – 1mm – 6.0mm woven 316 stainless steel			
General Characteristics All Models	RF600-200	RF600-300	RF600-400	RF600-500
Water supply to cleaning rotor	All RF600 Filters – tapped from outlet side of main pump			
Backwash Pipe connections	2" BSP	2" BSP	2" BSP	3" BSP
Filter Outlet Flange	6" PN 16/3	6" PN 16/3	6" PN 16/3	6" PN 16/3
Suction	All RF600 Filters – 304 Stainless Steel			
Return	All RF600 Filters – 304 Stainless Steel			
Operating Pressure	All RF600 Filters – min 0.3 bar, max 0.5 bar			
Minimum backwash (m <sup>3</sup> / hour)	9	13.5	18	22.5



RF600-300AR 1mm

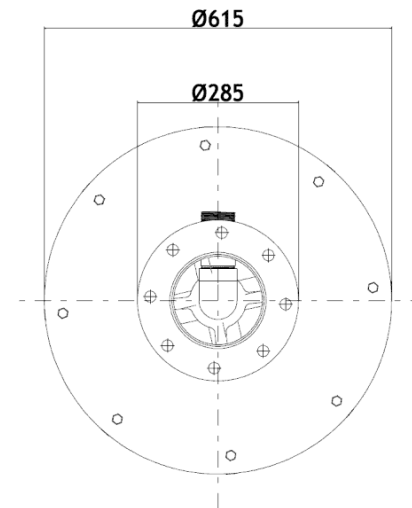
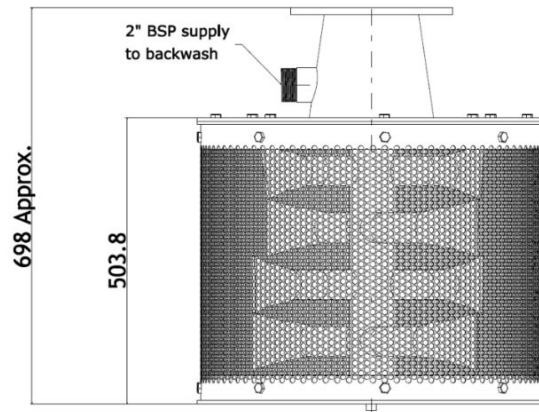


RF600-300AR with 2mm woven steel mesh and reinforcing

# RF600 Self-cleaning Intake Strainer for dirty water screening

From £3,910.00 (GBP)

## RF600AR & RF600R Self-cleaning Intake Strainer – Dimensions



RF600-400R fitted with 6" Flange (other sizes can be fitted)

Approximate Dimensions	RF600-200 all models	RF600-300 all models	RF600-400 all models	RF600-500 all models	RF600-600 all models
Dimensions (diameter mm x height mm)	615 x 500	615 x 600	615 x 700	615 x 800	615 x 900
Approx Weight (kg)	60	70	80	90	105

# RF600 Self-cleaning Intake Strainer for dirty water screening

From £3,910.00 (GBP)

## RF600 Self-cleaning Intake Strainer – Construction

Component	Material
Filter cage and lid	304 Stainless Steel
Central turbine	304 Stainless Steel
Jets	Natural rubber
Bearings	Acetal copolymer
Standard coarse screen	3mm or 6mm perforated 304 stainless steel



Note: 316 marine grade stainless steel is an option for all RF600 filters

**Please Note:** Our filters are designed for use in dirty water or liquids with a viscosity close to that of water. Our filters and filterpumps are **NOT** suitable for use in raw sewage or any other dirty water which contains oils or fat.



# RF600 Self-cleaning Intake Strainer for dirty water screening

From £3,910.00 (GBP)

## Ordering

**Rotorflush RF600 Self-cleaning Intake Strainer – up to 8,000 litres per minute**

Model	Price £	Model	Price £
Perforated stainless steel	(GBP – exc. VAT)	Woven stainless steel mesh	(GBP – exc. VAT)
RF600-200R	£3,910.00	RF600-200AR	£4,280.00
RF600-300R	£4,230.00	RF600-300AR	£4,630.00
RF600-400R	£4,500.00	RF600-400AR	£4,920.00
RF600-500R	£5,220.00	RF600-500AR	£5,710.00
RF600-600R	£5,600.00	RF600-600AR	£6,130.00



### Please state filter mesh size:

3mm and 6mm perforated stainless steel mesh is available  
1mm and 2mm woven stainless steel mesh is available

Standard fittings are 6" PN 16/3 outlet, and 3" inch BSP inlet to the backwash. Other flange sizes are possible

These filters can be manufactured using 316 stainless steel for marine use, please enquire.

**Delivery is by carrier and is usually between 5 and 7 weeks from order depending on product and availability.**

**Carriage and packing charges are extra.**