

Z200S Automatic Self-Cleaning Inline Filter System

General Specifications

General Arrangements



Key Features

- Capacity up to 18 m³ / hr (will vary depending on water quality and TSS)
- Filtration between 50 – 315 microns
- Automatic purge by pressure sensor
- Ideal for removing lint and fibres
- Self-cleaning with minimal maintenance
- All 316 Stainless Steel construction
- Reduced capital, installation and maintenance costs
- Continuous backwash keeps filter mesh clear
- Constant differential pressure monitoring
- Quick release couplings for ease and speed of maintenance
- Low maintenance, reduces water and disposal costs

Z200S Automatic Self-Cleaning Inline Filter System

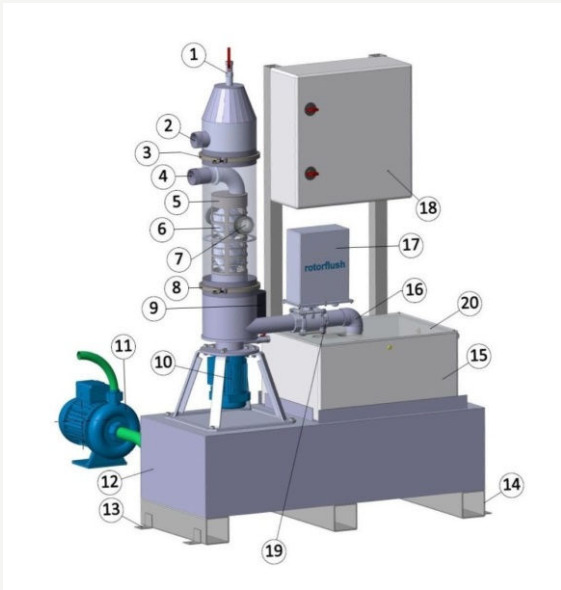
General Specifications

Specification

Volts	KW	M3/h max	Purge Volume (Litres)	Min/Max Pressure (bar)	Filter Screen Area (cm2)
230	0.37	18	15	0 - 8	650

Zircon Z200S Parts

Item	Description	Item	Description
1	Air release valve (priming)	8	Quick Release coupling
2	Dirty water in	9	Pressure sensor
3	Quick Release coupling	10	230v single phase motor
4	Filtered water output	17	Purge valve control (230v)
5	Filter cage	18	Controls enclosure (IP65)
6	Backwash rotor	19	2" actuated purge valve
7	View port		

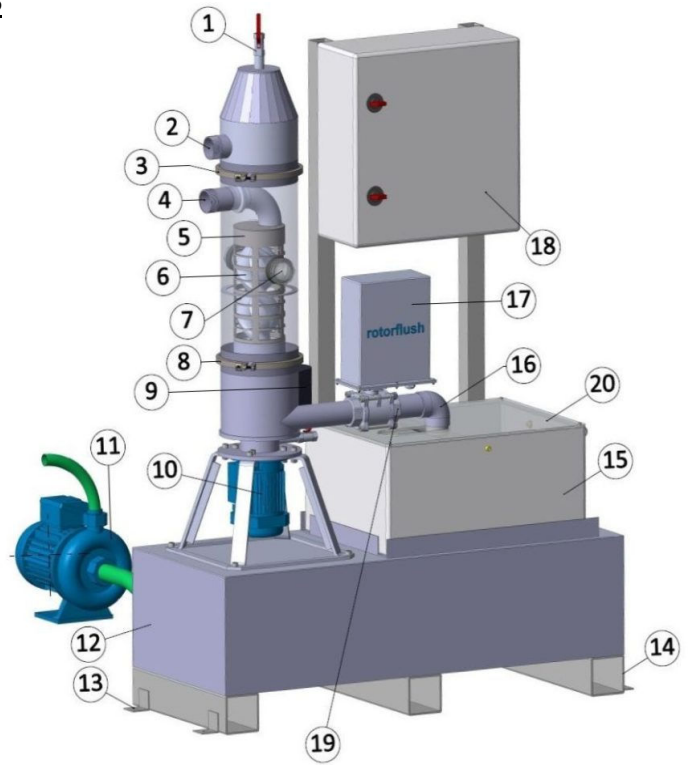


Z200S Automatic Self-Cleaning Inline Filter System

General Specifications

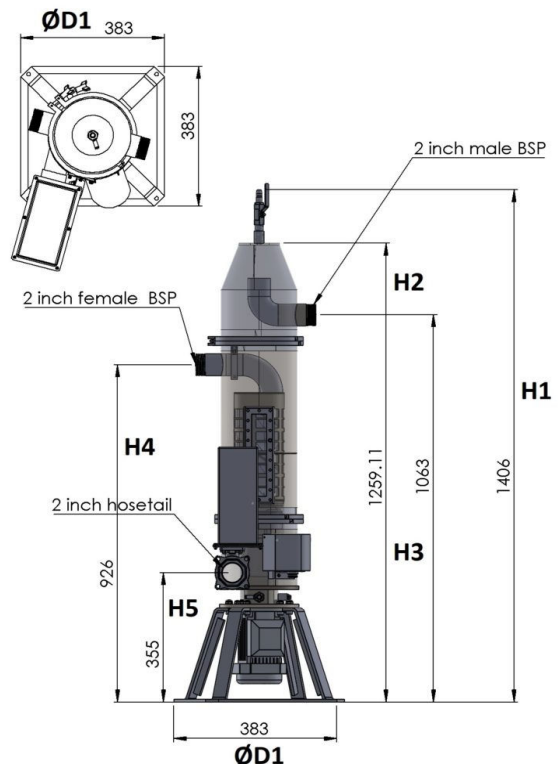
Zircon Z200S Optional Solids Handling Parts

Item	Description	Item	Description
11	Waste water pump	15	Solids collection tank
12	Waste water tank	16	Purge outlet
13	Bolt down points	20	Clear Perspex lid
14	Pallet feet		



Dimensions and Weights

Model	Z200S
Inlet / Outlet	2" male BSP
H1 (mm)	1406
H2 (mm)	1063
H3 (mm)	1259
H4 (mm)	926
H5 (mm)	355
ØD1 (mm)	383
Weight (kg)	50



Z200S Automatic Self-Cleaning Inline Filter System

General Specifications

Zircon Z200S Construction

<u>Filter Component</u>	<u>Construction</u>
Filter Mesh	316 stainless steel
Filter Body and fittings	316 stainless steel
Cleaning Rotor	ABS
Jets	ABS
Seals	EPDM
Mechanical seal:	Viton: SiC: SiC
Control enclosure	Coated mild steel
Drive motor	0.37 kW, single phase motor
Motor body	Aluminium
Optional Sight Glass	Toughened Glass

