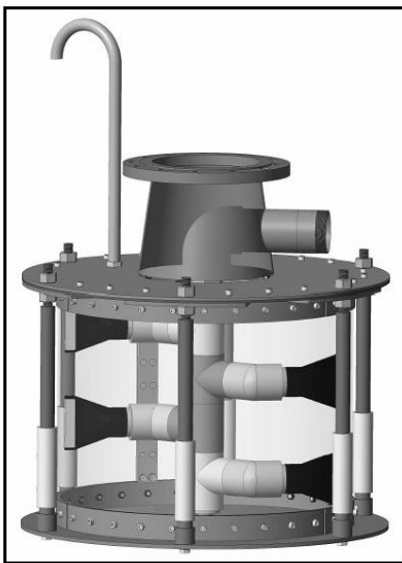


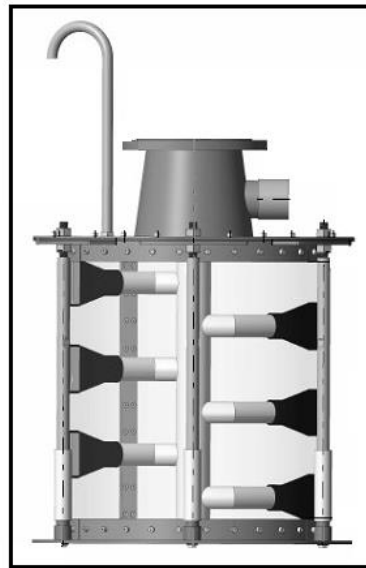
Rotorflush RF600LW Range Self-cleaning Filter

General Specifications

General Arrangements



Above shows RF600-400LW



Above shows RF600-600LW

Key features

- 316 Stainless Steel filter mesh
- Filter mesh from 1 – 6 mm
- Reliable and low maintenance
- Works with most centrifugal and progressive cavity pumps
- Continuous backwash whenever water is being pumped
- Up to 480 m³ per hour flow, 244 m³ within EU Eel regulations (0.1m / sec)
- Capital, installation and maintenance costs reduced
- All Stainless Steel filter cage construction
- No need for additional backwash filtration

Models & Specification

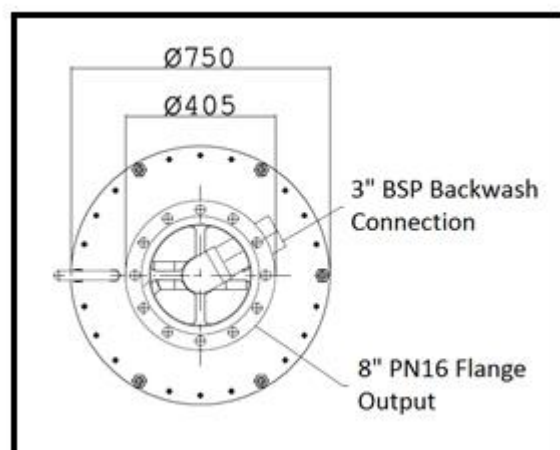
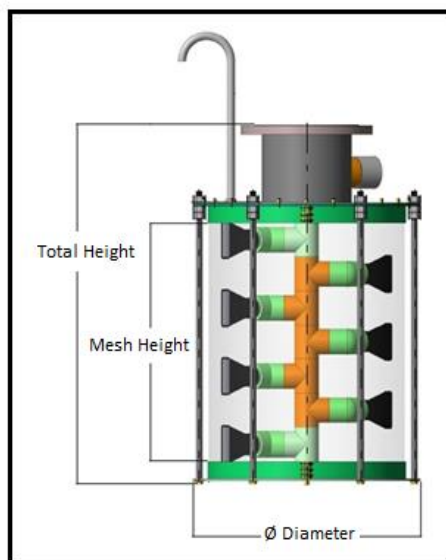
Model	RF600-200LW	RF600-300LW	RF600-400LW	RF600-500LW	RF600-600LW
Output M ³ /h Max	160	240	320	400	490
Output M ³ /h Max for Eel Regs @ 0.10m/s velocity	81	122	162	203	244
Back Wash Required M ³ /h	9	13.5	18	22.5	27
Mesh Type	316 Woven Stainless Steel	316 Woven Stainless Steel	316 Woven Stainless Steel	316 Woven Stainless Steel	316 Woven Stainless Steel
Mesh Size Options	1mm - 6mm	1mm - 6mm	1mm - 6mm	1mm - 6mm	1mm - 6mm

All models are available with US NPT Fittings or different sizes flanges

Dimensions and Weights

Model	RF600-200	RF600-300	RF600-400	RF600-500	RF600-600
Height (mm)	554	654	754	854	954
Filter Height (mm)	200	300	400	500	600
Diameter (mm)	750	750	750	750	750
Outlet Flange	8" DN200 PN16	8" DN200 PN16	8" DN200 PN16	8" DN200 PN16	8" DN200 PN16
Backwash Connection	3"	3"	3"	3"	3"
Weight (kg)	80	90	100	110	120

Dimensions and weights are approximate



Self-cleaning Filter Construction

Self-cleaning Filter Construction RF600LW	
Filter Mesh	316 Stainless Steel
Filter Uprights	304 or 316 Stainless Steel
Filter Top and Bottom Plate	304 or 316 Stainless Steel
Top and Bottom Plate Bolts & Fastenings	304 or 316 (A2) Stainless Steel
Tensioning Nuts, 6 off M20 x 15mm	Phosphor Bronze PB 102
Cleaning Rotor	304 or 316 Stainless Steel
Rotor Bearings	316 Stainless Steel / Acetal
Rubber Jets	Natural Rubber
Rubber Jet Clips	316 Stainless Steel
Lifting Eyes	304 / 316 Stainless Steel
Top Flange	304 or 316 Stainless Steel 8" DN200 PN16 – Standard Size
Backwash Connection	316 Stainless Steel, 3" BSP
Tensioning assemblies	Hi-tensile steel, Delta Tone 9000® inorganic, non - electrolytically applied micro layer zinc - Lamella flake coating