

Omnia Sample Pump



SUBMERSIBLE FILTER PUMPS

Omnia Sample Pump

The O1608-16 sample pump is a low head submersible filter pump with an integral self-cleaning filter for use with online analyser systems and dosing pumps.

It produces a filtered output of fluid which prevents blockage to nozzles, valves and solenoids. This Filter Pump is available in single phase, with or without float switch.

The O1608-16 combines filtering and pumping directly from the source water being sampled.

Its ease of use and installation and extremely low maintenance has made this filter pump one of our most popular products.

Fitted with 60, 115 or 300 micron filter mesh, it can be used to filter sample water on its own or as a supply to our RF100AN On-line Analyser filter system.



Key Features

- Removes suspended solids to 60 microns
- Pump and self-cleaning filter in one unit
- Ease of installation
- High reliability and easy to use
- 7 metre maximum head
- 15 0 litres per minute maximum flow
- Multistage pump
- Suitable for on-line analysers
- All Stainless Steel including impellers



Omnia Sample Pump



SUBMERSIBLE FILTER PUMPS

Description



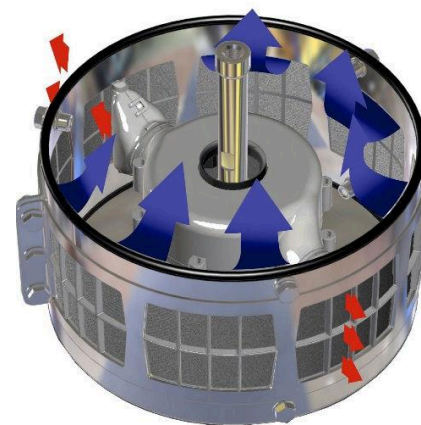
The O1608-16 sample pump is a low head submersible filterpump with an integral self-cleaning filter for use with on-line analyser systems and dosing pumps.

The built-in self-cleaning filter delivers a continuous backwash to keep the filter mesh and pump clear from debris and suspended solids while delivering an uninterrupted sample supply for analysis.

The self-cleaning Rotorflush filter is completely cleaned every ½ second keeping any solids away from the filter screen, preventing them entering your system.

It is ideal for use with chlorine, ammonia, phosphate and turbidity monitors and has been adopted as a sample pump of choice by UK water companies and suppliers of analytical instruments to the water industry. The pump works in fluids contaminated with suspended solids.

The O1608-16 low head filter pumps with integral self-cleaning intake filters have a maximum output of 150 litres / minute and a maximum head of 7 metres.



They can be fitted with 60, 100 or 300 micron aperture self-cleaning filter screen as standard. Stainless steel mesh options are available in similar mesh sizes.

Available in 230v, 50Hz (CE marked European specification) or 115v 60Hz US specification.

Omnia Sample Pump



SUBMERSIBLE FILTER PUMPS

Specification

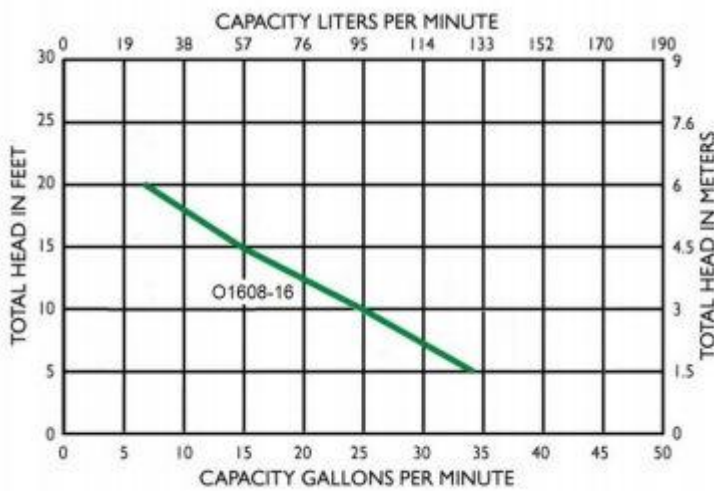
Model	Volts	kW	Outlet	L/min Max	Max Head (m)	Float Switch
O1608-16 (50 Hz)	230	0.4	1 ¼"	150	7	Yes
O1608-16 (US – 60 Hz)	115	0.4	1 ¼"	150	7	Yes

Omnia Sample Pump 230v 50Hz Performance



Omnia filterpump with stainless mesh steel filter

Omnia Sample Pump 115v 60Hz Performance



Omnia filterpump with nylon mesh filter

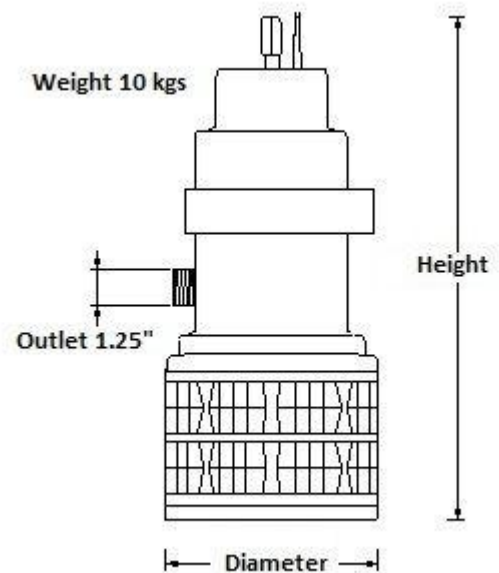
Omnia Sample Pump



SUBMERSIBLE FILTER PUMPS

Omnia Filterpump Dimensions

Dimensions (mm)	Height	Filter Diameter	Weight (Kg)
O1608-16	491	220	9.5



Self-cleaning Filter Construction

Screen sizes standard	60,115 and 300 micron available
Screen material	Standard is nylon mesh sintered stainless steel is also available
Impeller extension shaft	Acetal
Impeller	304 stainless steel
Rotor	Acetal
Rotor Bearings	Silicon Carbide / Acetal
Filter cage	AISI 304