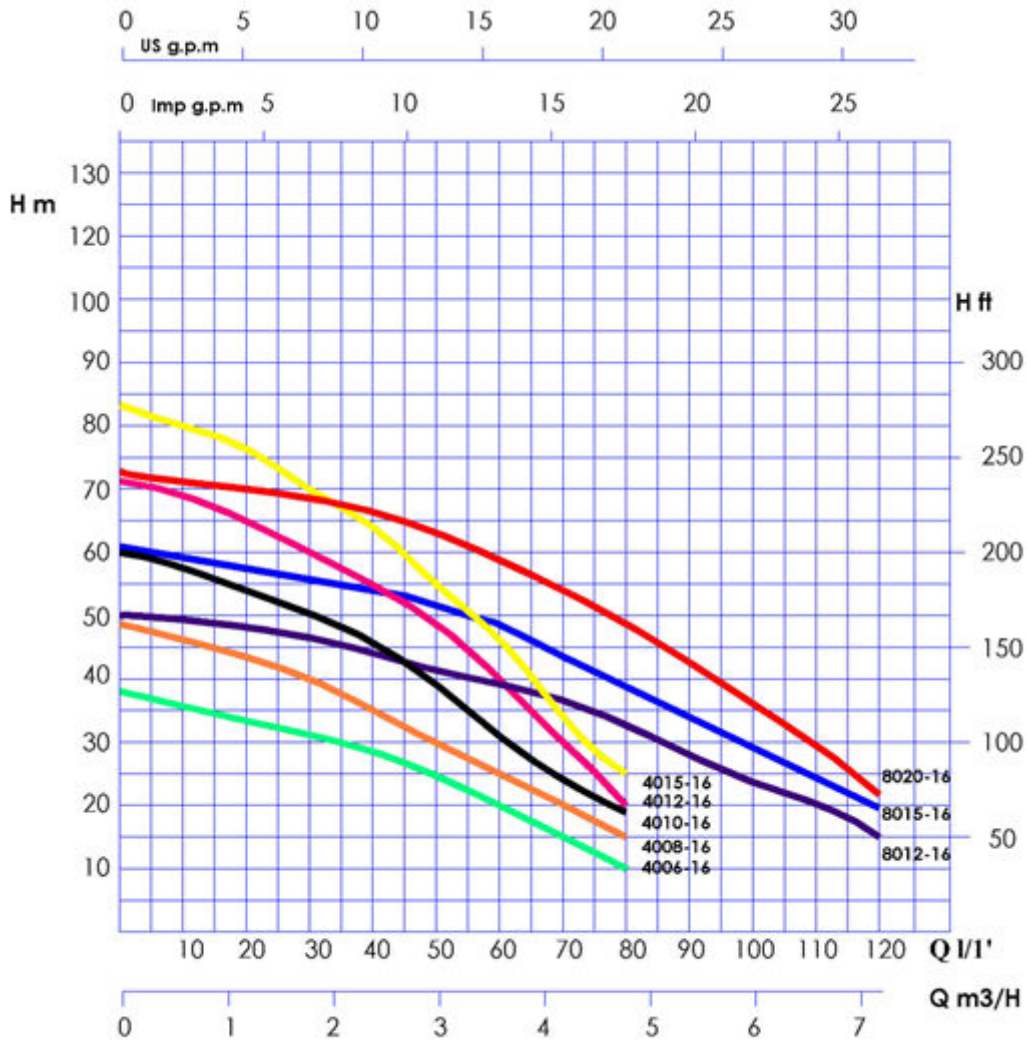


## Technical Specifications Rotorflush Idrogo Range Filterpumps



Rotorflush Filterpump Curves

\*Model 4010-16 is discontinued

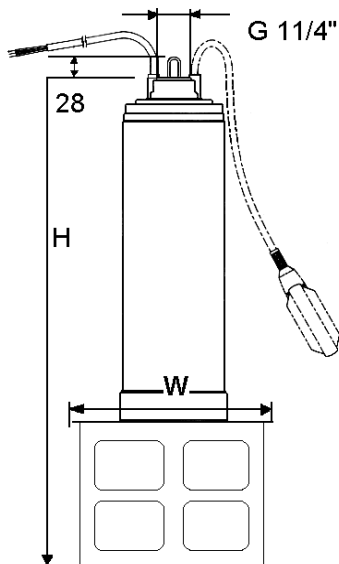
### **Rotorflush Idrogo Filterpump Technical Specifications (continued)**

<b>Pump Construction</b>		
Liquid Handled	Type of Liquid	Water containing suspended solids (Amount of suspended solids will vary with type of solids, and flow rate through pump)
	Max temperature	40 C
Maximum immersion (m)		20 (10 with float switch)
Construction	Impeller	Closed centrifugal type (multiple stages)
	Shaft seal type	Double mechanical seal
	Bearing	Sealed ball bearing
Pipe connection	Inlet	Self-cleaning strainer
	Outlet	G 1 ¼"
Materials	Casing	AISI 304
	Casing cover	AISI 304
	Impeller	Noryl
	Diffuser	Noryl
	Shaft	AISI416
	Shaft seal	Pump side: Sic/Sic/FPM Motor side: Carbon/Ceramic/NBR
	Lubricating Liquid	White mineral oil: Esso Marcol 172 (90 cc)
Applicable standard of Test		ISO 9906 grade 2

<b>Motor Construction</b>		
Type	Submersible dry type	
	Single Phase	Three Phase
No. of Poles	2	
Rotation speed (min -1)	2800	
Insulation Class	Class F	
Protection degree	IP 68	
Power rating	kW	0.45-1.2
	HP	0.6-1.6
Frequency	50 Hz	
Voltage (V)	230 +/- 10%	400 +/-10%
Capacitor	Built in	-
Overload protection	Built in	Provided by user
Float Switch	Optional	-
Float switch cable	Material: H07RN-F	-
	Size: 3 G 1	-
Upper bearing bracket	Aluminium	
Lower bearing bracket	Brass	
Motor Frame	AISI 304	
Power cable material size length (m)	H07RN-F	
	3 G 1.5	4 G 1
	20 m	
Type of cable entry	Cable gland	

**Rotorflush Idrogo Filterpump Technical Specifications (continued)**

Self-cleaning Inlet Filter Construction	
Filter screen area	525cm <sup>2</sup>
Screen sizes	Standard 300 micron, 60 and 115 micron available
Screen material	Standard is nylon, sintered stainless steel mesh is available
Impeller extension shaft	Acetal
Impeller	304 stainless steel
Rotor	Acetal
Rotor bearings	Silicon carbide/acetal
Filter cage	AISI304



Model	4006-16	4008-16	4012-16	4015-16	8012-16	8015-16	8020-16
Height (mm)	641	641	718	744	668	692	718
Filter Diameter (mm)	210	210	210	210	210	210	210
Pump diameter (mm)	136	136	136	136	136	136	136
Weight (Kg)	15	17	19	20	18	19	20
Output	See pump curves						
Nominal power (KW)	0.45	0.6	0.9	1.1	0.9	1.1	1.5
Float Switch available (Single phase only)	No	Yes	Yes	Yes	Yes	Yes	No
T= Three Phase M= Single Phase	M	T&M	T&M	T&M	T&M	T&M	T

**Rotorflush Idrogo Filterpump Technical Specifications (continued)**

Single Phase Motor Models	Power		Capacitor		Input (KW)	Full Load Current (A)	Locked rotor current
	KW	HP	uF	V1	Single Phase	Single Phase	Single Phase
230V, 50Hz							
4006-16M	0.45	0.6	16	450	0.82	3.8	16
4008-16M	0.6	0.8	16	450	1	4.3	16
4010-16M	0.75	1	20	450	1.25	5.7	20
4012-16M	0.9	1.2	20	450	1.42	6.8	23
4015-16M	1.1	1.5	31.5	450	1.80	7.3	25
8012-16M	0.9	1.2	20	450	1.33	6.4	23
8015-16M	1.1	1.5	31.5	450	1.8	7.5	25
Three Phase Motor Models	Power				Input (KW)	Full Load Current (A)	Locked rotor current
400V, 50Hz	KW	HP			Three Phase	Three Phase	Three Phase
4008-16T	0.6	0.8			0.95	1.9	10
4010-16T	0.75	1			1.18	2.2	12
4012-16T	0.9	1.2			1.33	2.4	14
4015-16T	1.1	1.5			1.75	3.0	16.5
8012-16T	0.9	1.2			1.22	2.3	14
8015-16T	1.1	1.5			1.65	3.1	16.5
8020-16T	1.5	2.0			2.1	3.5	16.5