

Rotorflush Topaz 400 Range Self-cleaning Filterpumps

General Specifications

General Arrangements



Key Features

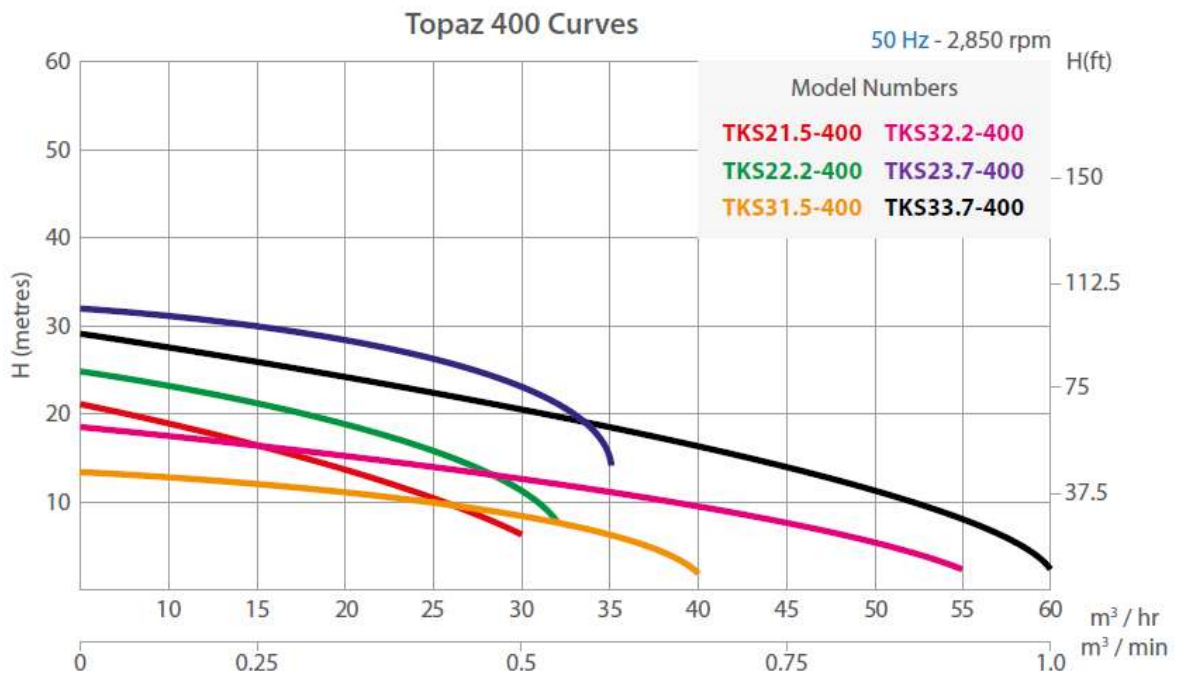
- Stainless steel motor casing
- Stainless steel intake and filter mesh
- Internal overload monitoring (thermal cutout)
- Filter mesh 315 micron to 3mm
- Effective low maintenance filtration
- 60 cubic metres per hour maximum flow
- Operates down to 20m depth
- Chromium iron pump impeller
- Fitted with 20m cable
- Reduced capital, installation and maintenance

Rotorflush Topaz 400 Range Self-cleaning Filterpumps

General Specifications

Models and Specifications

Model	Volts	kW	Rated Current Amps	Outlet (mm)	Max m ³ /hr	Max Head (m)
TKS21.5 – 400	400	1.5	3.5	50	30	21
TKS31.5 – 400	400	1.5	3.5	80	42	14
TKS22.2 – 400	400	2.2	5.0	50	32	25
TKS32.2 – 400	400	2.2	5.0	80	55	18.5
TKS23.7 – 400	400	3.7	7.7	50	36	32
TKS33.7 – 400	400	3.7	7.7	80	60	29



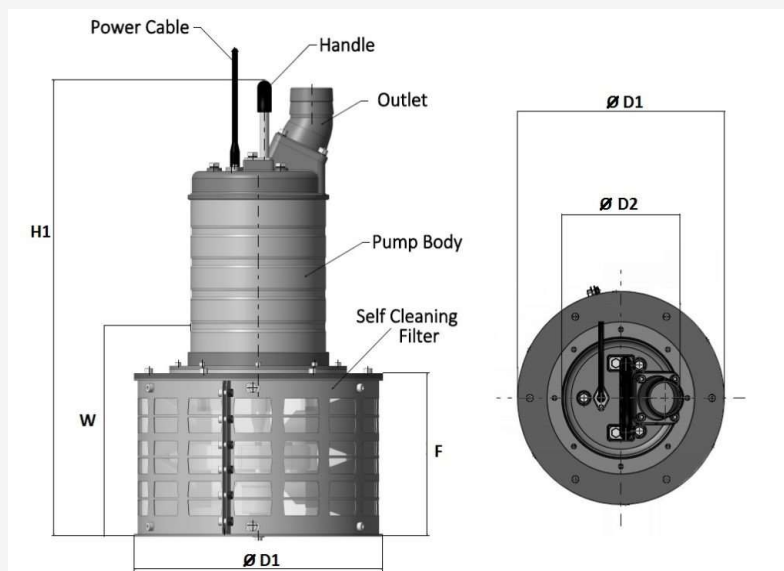
Rotorflush Topaz 400 Range Self-cleaning Filterpumps

General Specifications

Dimensions and Weights

Model	Height (mm) H1	Filter Diameter (mm) D1	Filter Pump Diameter (mm) D2	Filter Height (mm) F	Weight (kg)	Minimum Water Level (mm)
TKS21.5-400	733	420	240	270	57	400
TKS31.5-400	733	420	240	270	57	400
TKS22.2-400	733	420	240	270	60	400
TKS32.2-400	733	420	240	270	60	400
TKS23.7-400	685	420	300	270	78	400
TKS33.7-400	685	420	300	270	78	400

*Dimensions and weights are approximate



Rotorflush Topaz 400 Range Self-cleaning Filterpumps

General Specifications

Self-cleaning Filterpump Construction

Filterpump Body	
Component	Construction
Body	AISI304SS
Impeller	Ductile Iron
Bearings	Ball Bearing
Cable	H07RN-F
Double Mechanical Seal	Ceramic-Sic / Carbon-Ceramic

Self-cleaning Filter Construction	
Filter Screen Area	2500cm ²
Standard Screen Sizes	300 micron, 315 micron, 1mm, 2mm, and 3mm
Filter mesh	Nylon mesh, polypropylene insert (300 micron) Sintered stainless steel mesh (315 micron) Stainless steel woven mesh (1mm and 2mm) Stainless steel perforated mesh (3mm)
Impeller Extension Shaft	Stainless Steel
Impeller	Stainless steel
Rotor	ABS (Acrylonitrile Butadiene Styrene)
Rotor Bearings	Silicon Carbide
Filter Cage	Stainless Steel
Cleaning Jets	Natural Rubber Jets, Stainless Steel Clips