

Rotorflush Sapphire 600 Range Self-cleaning Filterpumps

General Specifications

General Arrangements



Key Features

- Cast iron motor casing
- Stainless steel intake and filter mesh
- Stainless steel outer casing
- Filter mesh 315 micron to 3mm
- Very low maintenance filtration
- 90 cubic metres per hour maximum flow
- Operates down to 20m depth
- Max Head 204 metres
- 8m cable (longer cable can be fitted))
- Reduced capital, installation and maintenance

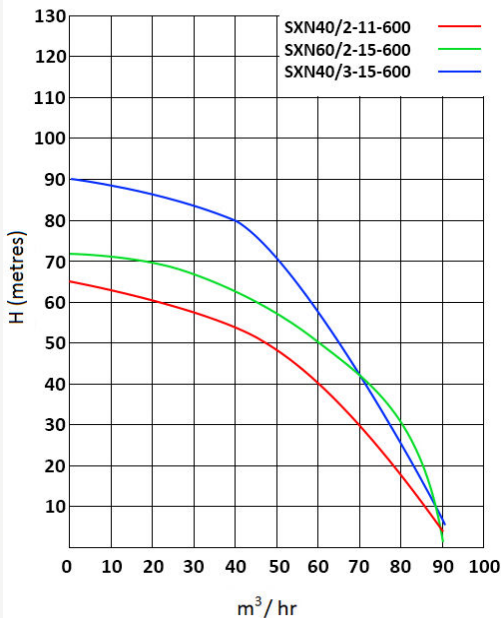
Rotorflush Sapphire 600 Range Self-cleaning Filterpumps

General Specifications

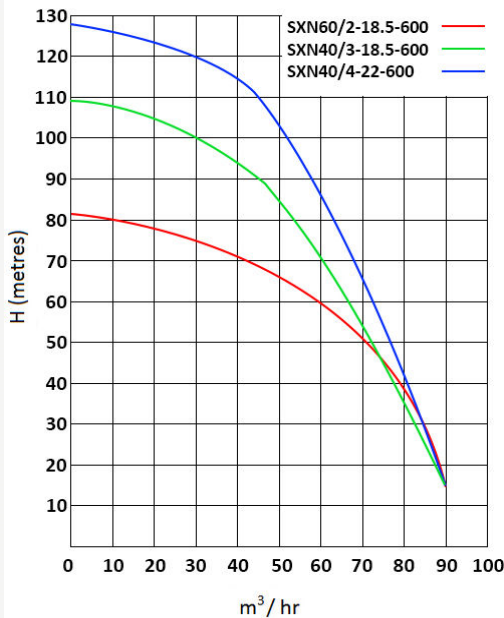
Models and Specifications

Model	Volts	kW	Rated Current Amps	Outlet (mm)	Max m3/hr	Max Head (m)
SXN40/2-11 600AR	400	11	22	80	90	63
SXN40/3-15 600AR	400	15	31	80	90	90
SXN60/2-15 600AR	400	15	31	100	90	73
SXN40/3-18.5 600AR	400	18.5	37.2	80	90	108
SXN60/2-18.5 600AR	400	18.5	37.2	100	90	81
SXN40/4-22 600AR	400	22	45	80	115	90
SXN40/4-25 600AR	400	25	51	80	125	90
SXN60/3-25 600AR	400	25	51	100	90	123

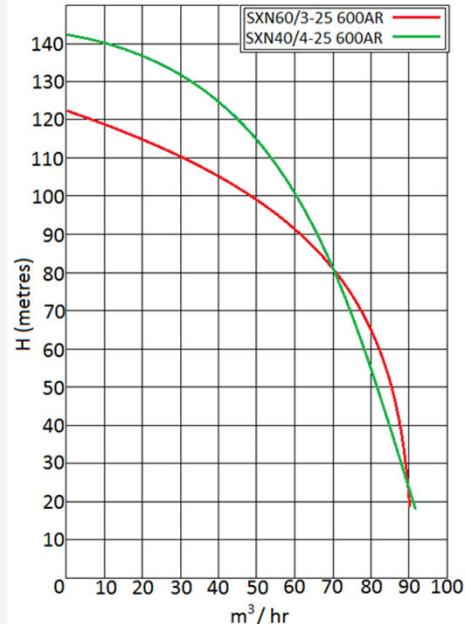
Sapphire FilterPumps
Models up to 15 kW



Sapphire FilterPumps
Models up to 22 kW



Sapphire FilterPumps
Models up to 25 kW



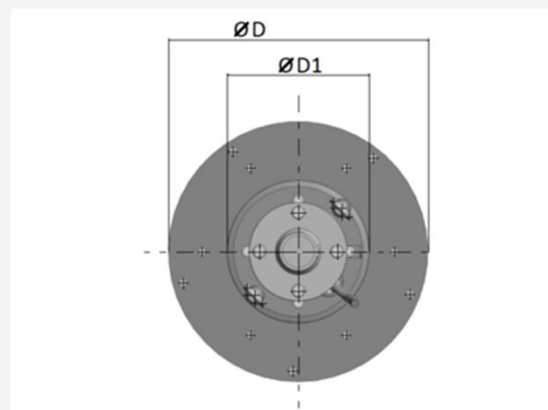
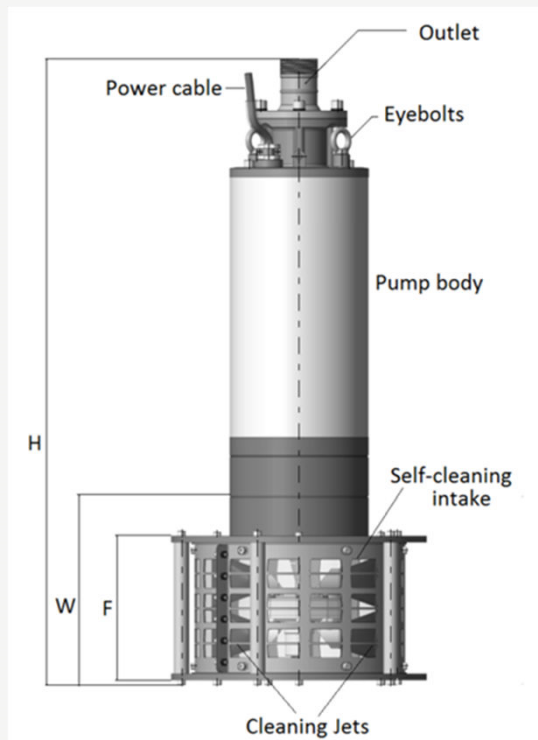
Rotorflush Sapphire 600 Range Self-cleaning Filterpumps

General Specifications

Dimensions and Weights

Model	Height (mm) H	Filter Diameter (mm) D	Filter Pump Diameter (mm) D1	Filter Height (mm) F	Weight (kg)	Minimum Water Level (mm)
SXN40/2-11 600AR	1485	620	274	470	255	650
SXN40/3-15 600AR	1605	620	274	470	285	650
SXN60/2-15 600AR	1530	620	274	470	270	650
SXN40/3-18.5 600AR	1620	620	274	470	305	650
SXN60/2-18.5 600AR	1550	620	274	470	285	650
SXN40/4-22 600AR	1775	620	274	470	320	650
SXN40/4-25 600AR	1775	620	274	470	360	650
SXN60/3-25 600AR	1700	620	274	470	340	650

*Dimensions and weights are approximate



Rotorflush Sapphire 600 Range Self-cleaning Filterpumps

General Specifications

Self-cleaning Filterpump Construction

Filterpump Body	
Component	Construction
Motor Casing	Cast Iron
Outer Casing	AISI304SS
Impeller	
Cable	H07RN-F
Double Mechanical Seal	Sic/Sic

Self-cleaning Filter Construction	
Filter Screen Area	5600cm ²
Standard Screen Sizes	300 micron, 315 micron, 1mm, 2mm, and 3mm
Filter mesh	Nylon mesh, polypropylene insert (300 micron) Sintered stainless steel mesh (315 micron) Stainless steel woven mesh (1mm and 2mm) Stainless steel perforated mesh (3mm)
Impeller Extension Shaft	Stainless Steel
Impeller	Stainless steel
Rotor	ABS (Acrylonitrile Butadiene Styrene)
Rotor Bearings	Silicon Carbide
Filter Cage	Stainless Steel
Cleaning Jets	Natural Rubber Jets, Stainless Steel Clips