

# Rotorflush RUBI 400 Range Self-cleaning Filterpumps

## General Specifications

### General Arrangements



*Above shows RubiLH33-400R  
Fitted with 3mm Perforated  
Stainless Steel mesh*

### Key Features

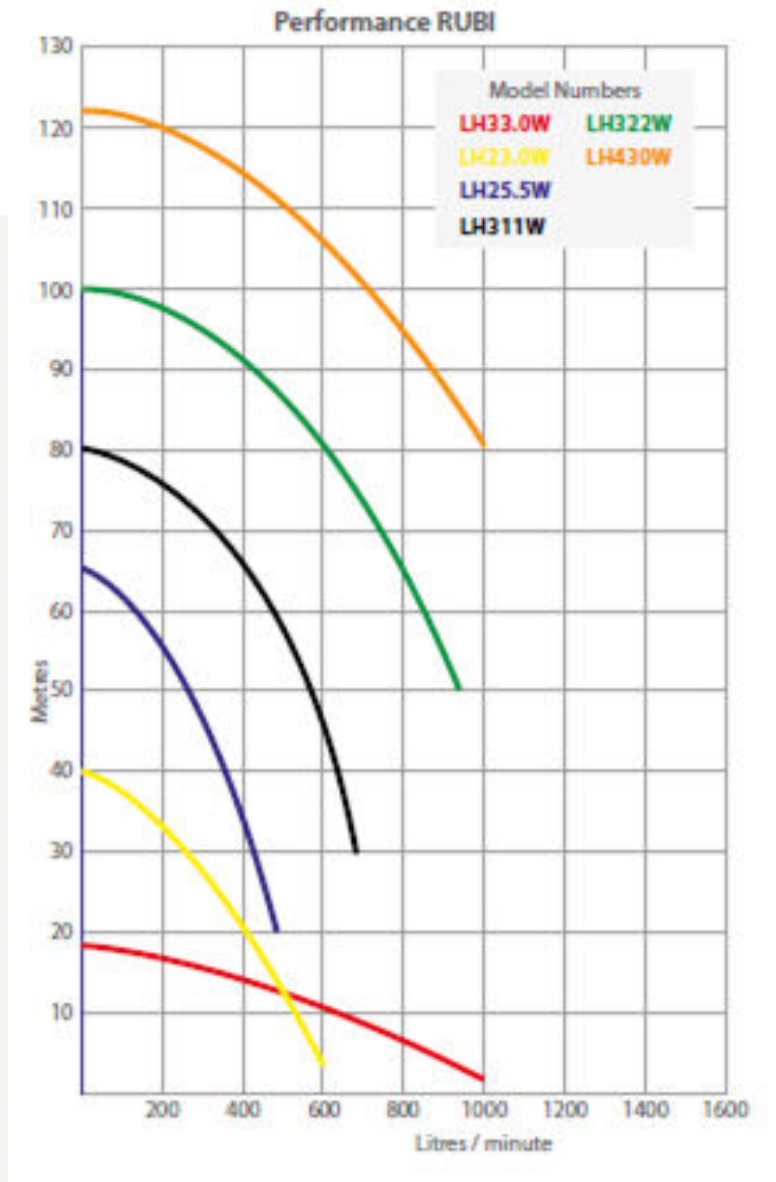
- Removes suspended solids down to 100 microns
- Pump and self-cleaning filter in one unit
- Ease of installation
- High reliability and easy to use
- 123 metre maximum head
- 60m<sup>3</sup>/hour maximum flow
- Internal overload monitoring (Thermistors)
- Reduced capital, installation and maintenance costs

# Rotorflush RUBI 400 Range Self-cleaning Filterpumps

## General Specifications

### Models and Specifications

Model	Volts	kW	Rated Current Amps	Hosetail Outlet	Max L/min	Max Head (m)
LH23-400	415	3.0	7	50mm Male	600	40
LH33-400	415	3.0	7	50mm Male	940	20
LH25.5-400	415	5.5	11.5	50mm Male	490	65
LH311W-400	415	11.0	22.5	80mm Male	700	81
LH322W-400	415	22.0	40	80mm Male	940	102
LH430W-400	415	30.0	55	100mm Male	940	123



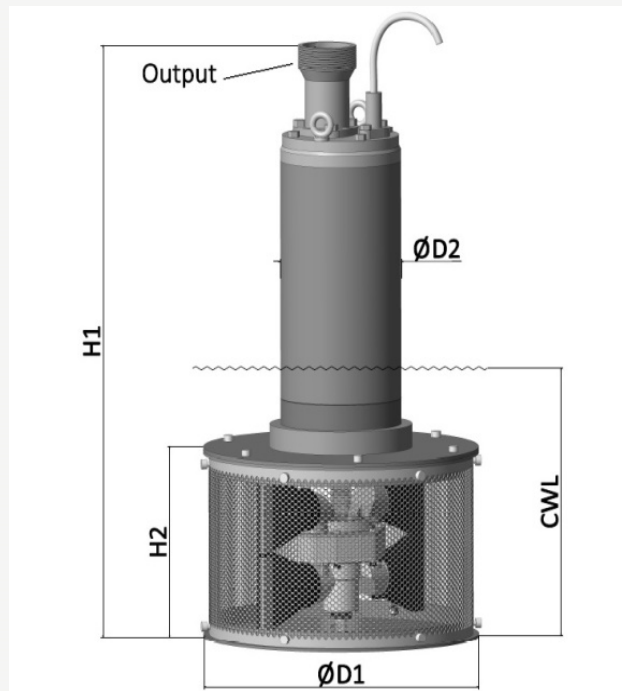
# Rotorflush RUBI 400 Range Self-cleaning Filterpumps

## General Specifications

### Dimensions and Weights

Model	Height (mm) H1	Filter Diameter (mm) D1	Filter Pump Diameter (mm) D2	Filter Height (mm) H2	Weight (kg)	Minimum Water Level
LH23-400	816	420	185	270	65	400
LH33-400	816	420	185	270	61	400
LH25.5W-400	1000	420	240	270	105	420
LH311W-400	1180	420	270	270	150	450
LH322W-400	1484	420	330	270	329	550
LH430W-400	1625	420	330	270	344	550

\*Dimensions and weights are approximate



# Rotorflush RUBI 400 Range Self-cleaning Filterpumps

## General Specifications

### Self-cleaning Filterpump Construction

Filterpump Body	
Component	Construction
Body	Ductile Iron
Impeller	Chromium Iron
Power Cable	Rubber H07RN-F
Motor Shaft	Stainless Steel
Seal	Silicon Carbide

Self-cleaning Filter Construction	
Filter Screen Area	2500cm <sup>2</sup>
Standard Screen Sizes	100 and 315 micron, 1mm, 2mm, 3mm and 6mm
Filter mesh	Nylon mesh, polypropylene insert (up to 300 micron) Sintered stainless steel mesh (up to 315 micron) Stainless steel woven mesh (1mm and 2mm) Stainless steel perforated mesh (3mm and 6mm)
Impeller Extension Shaft	Stainless Steel
Impeller	Stainless steel
Rotor	ABS (Acrylonitrile Butadiene Styrene)
Rotor Bearings	Silicon Carbide
Filter Cage	Stainless Steel
Cleaning Jets	Natural Rubber Jets, Stainless Steel Clips