

# Rotorflush RF400 - E Range Self-cleaning Filter

## General Specifications

### General Arrangements



RF400AR-E Self-cleaning Strainer with  
Backwash Pump

### Key Features

- Nylon or stainless steel filter mesh
- Filter sizes from 50 microns to 6mm
- High reliability and easy to install and use
- Works with most centrifugal and progressive cavity pumps
- Continuous backwash keeps filter mesh clear
- Ideal for variable speed pumps
- 60 cubic metres per hour maximum flow
- Reduced capital, installation and maintenance costs
- All Stainless Steel

# Rotorflush RF400 - E Range Self-cleaning Filter

## General Specifications

### Models and Specifications

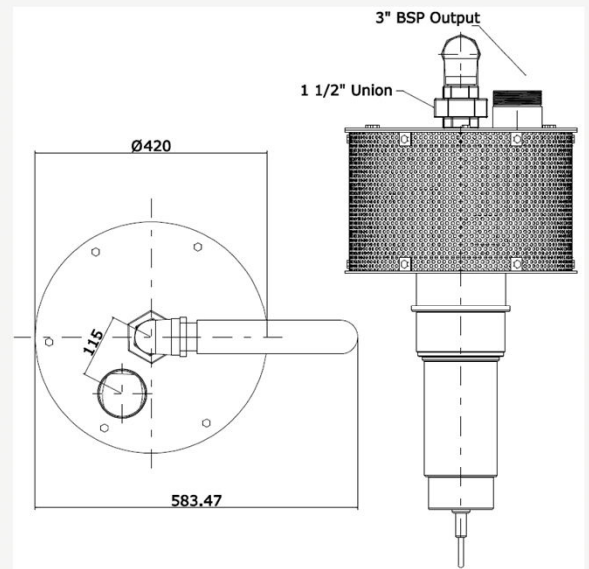
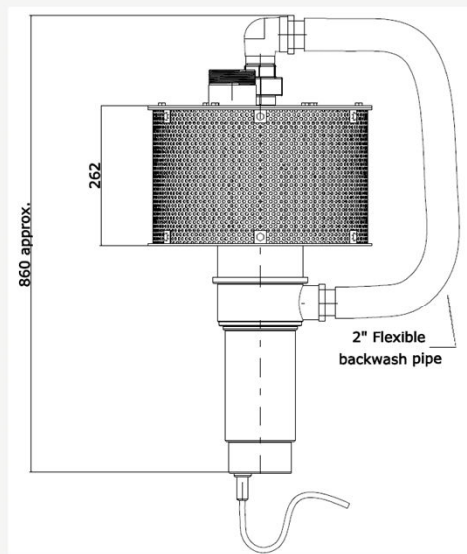
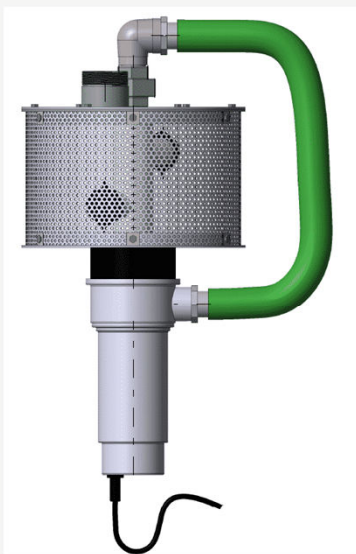
Model	Max pump output (m3/h)	Mesh Type	Mesh Size Options
RF400AR-E	60	Nylon	60, 115, 300 micron
	60	Sintered 316 Stainless Steel	50, 100, 315 micron
RF400R-E	60	316 Stainless Steel	1 mm or 2 mm
	60	316 Stainless Steel	3mm or 6 mm

\*These models are available with US NPT Fittings

### Dimensions and Weights

Model	Height (mm)	Filter Dimensions width x height (mm)	Filter Height	Weight (kg)	Pump Outlet	Backwash Outlet
RF400 – E All Models	675	420 x 583	262	30	3" BSP	½" BSP

\*Dimensions and weights are approximate



# Rotorflush RF400 - E Range Self-cleaning Filter

## General Specifications

### RF400 E Backwash Pump Specifications

MODEL	Motor output (P2)		Power Motor (P1)		VOLT	In (A)	μF
	HP	kW	HP	kW			
RF400-E	0.50	0.37	0.70	0.50	220-240	2.5	8

### Self-cleaning Filter Construction

Component	RF400 –E All Models
Filter cage and lid	304 Stainless Steel
Central turbine	304 Stainless Steel
Jets	Food Grade Natural Rubber
Bearings	Acetal copolymer

Note: 316 marine grade stainless steel is an option for all RF400 filters



# Rotorflush RF400 - E Range Self-cleaning Filter

## General Specifications

### RF400A-E Backwash Pump Construction

No.	Name	Material	Ref.	Name	Material	No.
1	Pump body	AISI 304	34	Nut	AISI 303	1
6	Shaft with rotor	AISI 303	46	Lower bearing supp.	AISI 304	6
7	Impeller	AISI 304	52	Capacitor box	PA66 REINFORCED WITH FIBREGLASS	7
11	Mechanical seal	Ceramic/Carbon/NBR	54	Cable	—	11
12	Motor case	—	55	Float	AISI 304	12
13	Cover	AISI 304	58	Cable stay	AISI 303	13
16	Box	—	75	Washer	NBR	16
19	Lower bearing		77	O-Ring	AISI 304	19
20	Upper bearing		91	Washer	NBR	20
21	Adjusting ring	AISI 304	96	O-Ring	NBR	21
23	Capacitor	—	97	Cable gland	NBR	23
26	O-Ring	NBR	98	Cable gland	AISI 304	26
27	O-Ring	NBR	106	Spacer	AISI 304	27
28	O-Ring	NBR	107	Fixing flanges	NBR	28
29	Washer	AISI 304	108	Gasket	AISI 304	29
30	Spacer for mechanical seal	BRASS	109	Suction side lid	AISI 304	30

