

# Rotorflush RF200 Range Self-cleaning Filter

## General Specifications

### General Arrangements



*Above shows RF200AS Fitted with  
315 micron Sintered Stainless Steel  
Mesh*



*Above shows RF200A Fitted  
with 300 micron Nylon Mesh*



*Above shows RF200R Fitted with  
3mm Perforated Stainless Steel  
Mesh*

### Key Features

- Filtration between 50 microns and 6mm
- Self-cleaning with minimal maintenance
- Stainless Steel construction
- High reliability and easy to use
- 220 litres per minute maximum flow
- Reduced capital, installation and maintenance costs
- Continuous backwash keeps filter mesh clear
- Protects pumps and other equipment

# Rotorflush RF200 Range Self-cleaning Filter

## General Specifications

### Models and Specifications

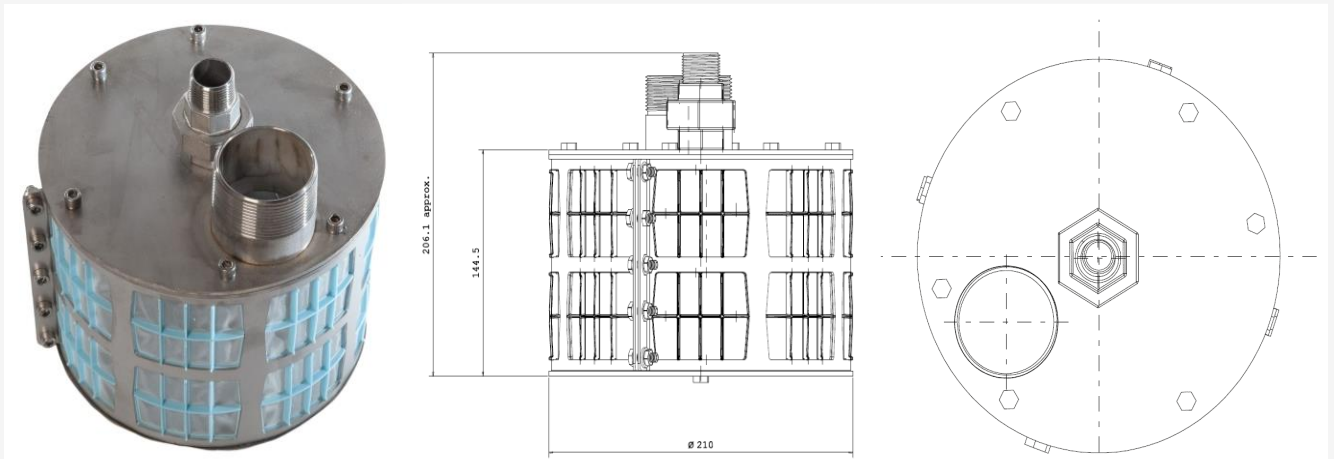
Model	Max pump output (m3/h)	Mesh Type	Mesh Size Options	Backwash Volume litres / min @ 0.4bar
RF200A	14	Nylon	60, 115, 300 micron	90
RF200AS	14	316 Stainless Steel	50, 100, 315 micron sintered	90
RF200AR	14	316 Stainless Steel	1mm, 2mm, 3mm woven	75
RF200R	14	316 Stainless Steel	3mm or 6mm Perforated	75

\*These models are available with US NPT Fittings

### Dimensions and Weights

Model	Height (mm)	Filter Diameter (mm)	Filter Height	Weight (kg)	Pump Outlet	Backwash Outlet
RF200A	206	210	145	4	2" BSP	¾" BSP
RF200AS	206	210	145	5	2" BSP	¾" BSP
RF200AR	206	210	145	5	2" BSP	¾" BSP
RF200R	206	210	145	5	2" BSP	¾" BSP

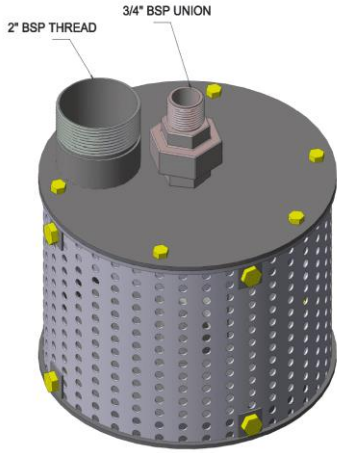
\*Dimensions and weights are approximate



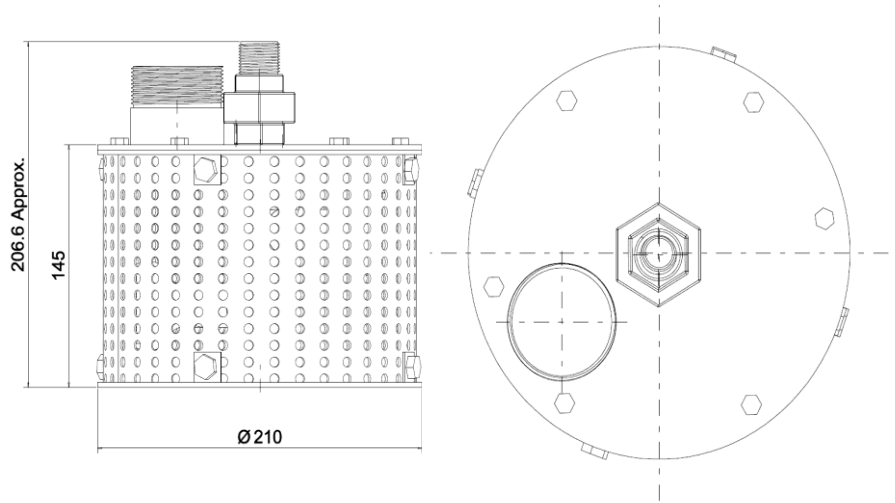
RF200A

# Rotorflush RF200 Range Self-cleaning Filter

## General Specifications



RF200R Perforated



### Self-cleaning Filter Construction

Component	RF200A / RF200AS	RF200AR / RF200R
Filter cage and lid	316 Stainless Steel	
Central turbine	316 Stainless Steel	
Jets	EPDM and 316 Stainless Steel	
Bearings	Acetal copolymer	