

Rotorflush Jasper 400 Range Self-cleaning Filterpumps

General Specifications

General Arrangements



*Above shows Jasper T55-400AR
Fitted with 2mm Stainless Steel
mesh*

Key Features

- Removes suspended solids down to 100 microns
- Pump and self-cleaning filter in one unit
- Ease of installation
- High reliability and easy to use
- 35 metre maximum head
- 110m³/hour maximum flow
- Internal thermal overload protection
- Reduced capital, installation and maintenance costs

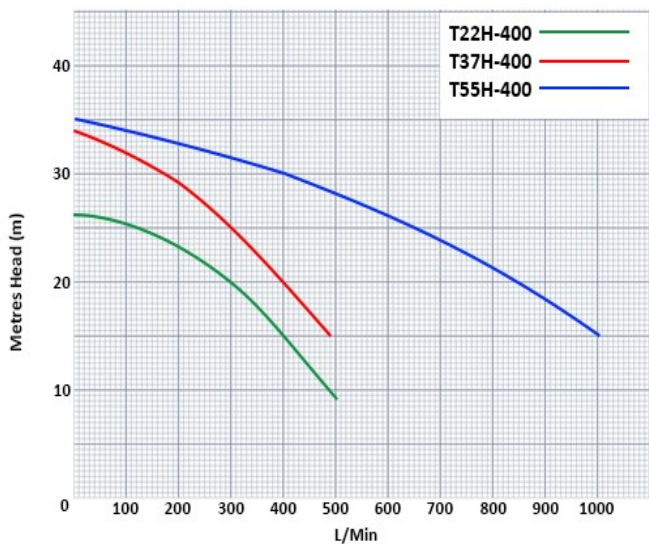
Rotorflush Jasper 400 Range Self-cleaning Filterpumps

General Specifications

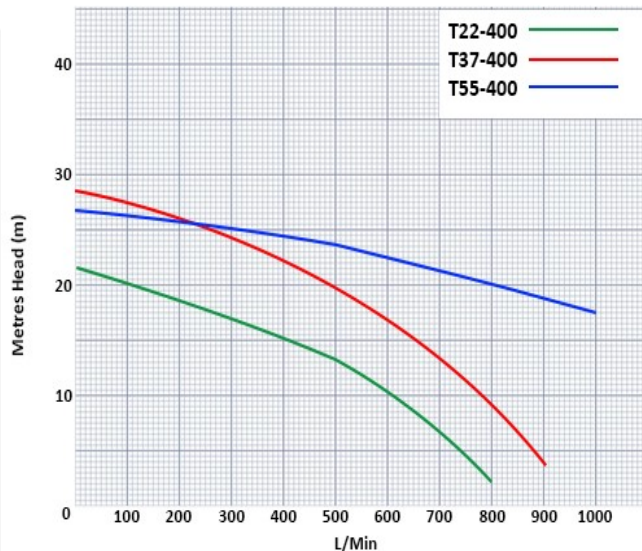
Models and Specifications

| Model | Volts | kW | Outlet | Max L/min | Max Head (m) | 60Hz option | Phase |
|-----------------|-------|-----|----------|-----------|--------------|-------------|-------|
| Jasper T22-400 | 415 | 2.2 | 3" or 4" | 800 | 21 | Y | 3 |
| Jasper T37-400 | 415 | 3.7 | 3" or 4" | 900 | 29 | Y | 3 |
| Jasper T55-400 | 415 | 5.5 | 4" | 1000 | 29 | Y | 3 |
| Jasper T22H-400 | 415 | 2.2 | 2" or 3" | 500 | 26 | Y | 3 |
| Jasper T37H-400 | 415 | 3.7 | 2" or 3" | 500 | 34 | Y | 3 |
| Jasper T55H-400 | 415 | 5.5 | 3" or 4" | 1000 | 35 | Y | 3 |

Jasper Medium Head Performance Curves



Jasper Low Head Performance Curves



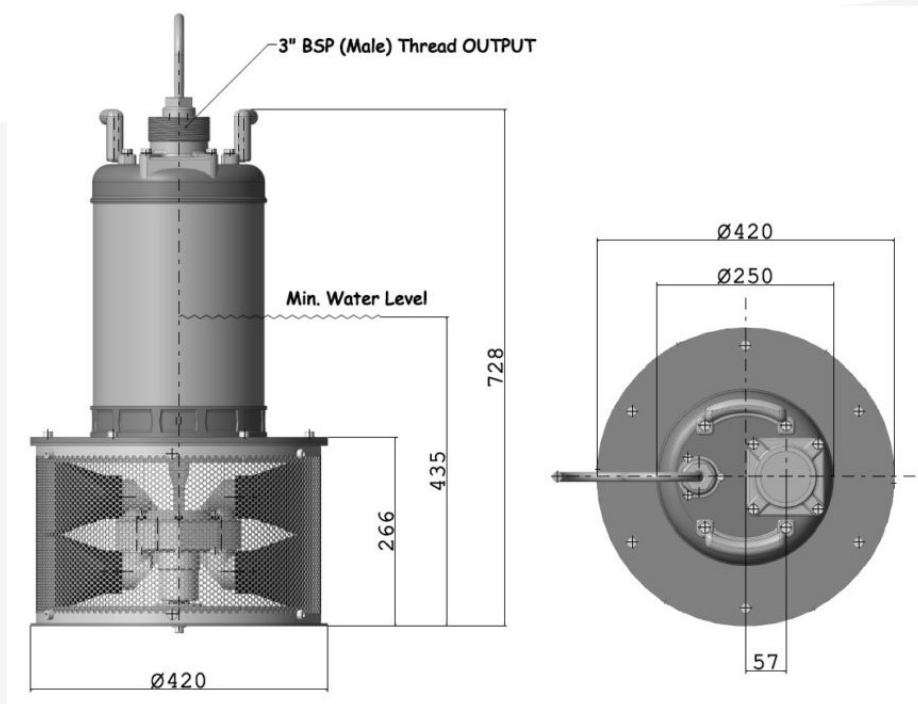
Rotorflush Jasper 400 Range Self-cleaning Filterpumps

General Specifications

Dimensions and Weights

| Model | Height (mm) | Filter Diameter (mm) | Filter Pump Diameter | Filter Height (mm) | Weight (kg) | Minimum Water Level |
|---------------------------|-------------|----------------------|----------------------|--------------------|-------------|---------------------|
| Jasper T22-400 / T22H-400 | 728 | 420 | 250 | 220 | 70 | 435 |
| Jasper T37-400 / T37H-400 | 733 | 420 | 250 | 220 | 75 | 435 |
| Jasper T55-400 / T55H-400 | 838/798 | 420 | 250 | 220 | 90 | 435 |

*Dimensions and weights are approximate



Rotorflush Jasper 400 Range Self-cleaning Filterpumps

General Specifications

Self-cleaning Filterpump Construction

| Filterpump Body | |
|-----------------|------------------|
| Component | Construction |
| Body | Stainless Steel |
| Impeller | Ductile Iron |
| Power Cable | 10m HO7RN-F |
| Motor Shaft | Stainless Steel |
| Seal | Silicon / Carbon |

| Self-cleaning Filter Construction | |
|-----------------------------------|---|
| Filter Screen Area | 2500cm ² |
| Standard Screen Sizes | 100 & 315 micron, 1mm 2mm, 3mm and 6mm (others sizes can be fitted) |
| Filter mesh | Stainless steel sintered, woven or perforated mesh |
| Impeller Extension Shaft | Stainless Steel |
| Impeller | Stainless steel |
| Rotor | ABS (Acrylonitrile Butadiene Styrene) |
| Rotor Bearings | Silicon Carbide |
| Filter Cage | Stainless Steel |
| Cleaning Jets | Natural Rubber Jets, Stainless Steel Clips |