

Rotorflush Cobalt 600 Range Self-cleaning Filterpumps

General Specifications

General Arrangements



Key Features

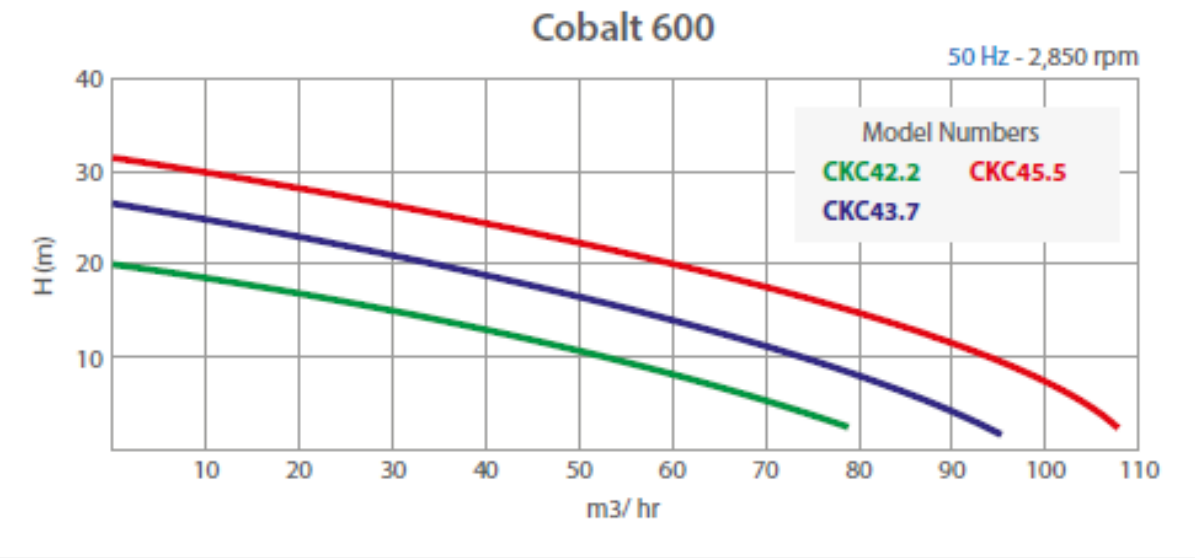
- Stainless steel motor casing
- Stainless steel intake and filter mesh
- Internal overload monitoring (thermal cutout)
- Filter mesh 315 micron to 3mm
- Very low maintenance filtration
- 108 cubic metres per hour maximum flow
- Operates down to 25m depth
- Chromium iron pump impeller
- Reduced capital, installation and maintenance

Rotorflush Cobalt 600 Range Self-cleaning Filterpumps

General Specifications

Models and Specifications

Model	Volts	kW	Rated Current Amps	Outlet (mm)	Max m3/hr	Max Head (m)
CKC42.2 600AR	400	2.2	5.5	100	78	19.5
CKC43.7 600AR	400	3.7	7.7	100	96	25
CKC45.5 600AR	400	5.5	12.0	100	108	30



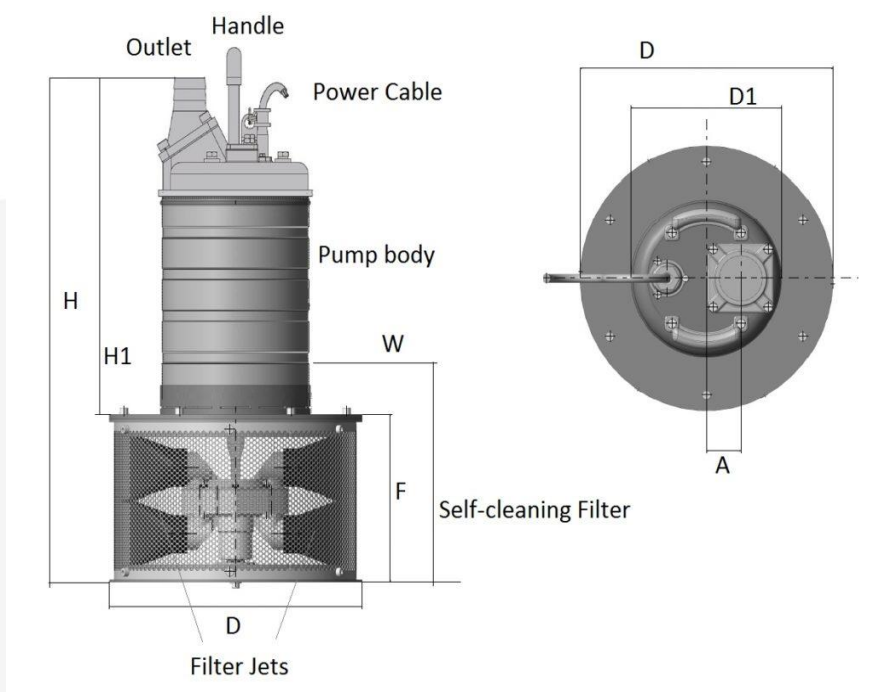
Rotorflush Cobalt 600 Range Self-cleaning Filterpumps

General Specifications

Dimensions and Weights

Model	Height (mm) H	Filter Diameter (mm) D	Filter Pump Diameter (mm) D1	Filter Height (mm) F	Weight (kg)	Minimum Water Level (mm) W
CKC42.2 600AR	965	655	262	476	121	650
CKC43.7 600AR	1050	655	302	476	140	650
CKC45.5 600AR	1090	655	302	476	147	650

*Dimensions and weights are approximate



Rotorflush Cobalt 600 Range Self-cleaning Filterpumps

General Specifications

Self-cleaning Filterpump Construction

Filterpump Body	
Component	Construction
Body	AISI304SS
Impeller	Chrome Steel
Cable	H07RN-F
Double Mechanical Seal	Sic/Sic

Self-cleaning Filter Construction	
Filter Screen Area	5600cm ²
Standard Screen Sizes	315 micron, 1mm, 2mm, and 3mm
Filter mesh	Sintered stainless steel mesh (315 micron) Stainless steel woven mesh (1mm and 2mm) Stainless steel perforated mesh (3mm)
Impeller Extension Shaft	Stainless Steel
Impeller	Stainless steel
Rotor	ABS (Acrylonitrile Butadiene Styrene)
Rotor Bearings	Silicon Carbide
Filter Cage	Stainless Steel
Cleaning Jets	Natural Rubber Jets, Stainless Steel Clips