

Rotorflush RF400 Range Self-cleaning Filter

General Specifications

General Arrangements



*Above shows RF400AR Fitted with
315micron sintered Stainless Steel Mesh*



*Above shows RF400AR Fitted with
300 micron Nylon Mesh*



*Above shows RF400R Fitted with
3mm Perforated Stainless Steel Mesh*

Key Features

- Strong nylon filter mesh or stainless steel filter mesh
- Filters from 6 mm down to 60 microns
- High reliability, easy to use and install
- Works with most centrifugal and progressive cavity pumps
- 60 cubic metres per hour maximum flow
- Reduced capital, installation and maintenance costs
- All Stainless Steel construction
- Protects pumps and other equipment
- For use in dirty water.

Rotorflush RF400 Range Self-cleaning Filter

General Specifications

Models and Specifications

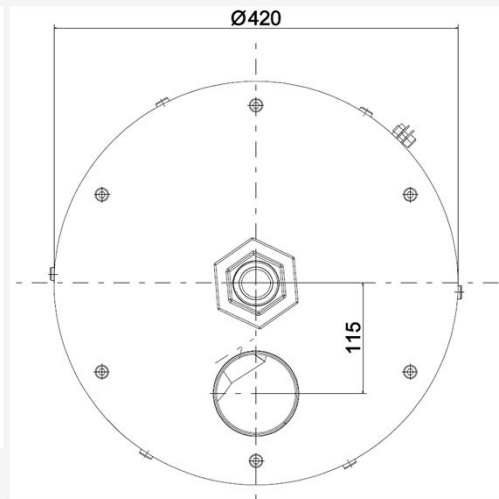
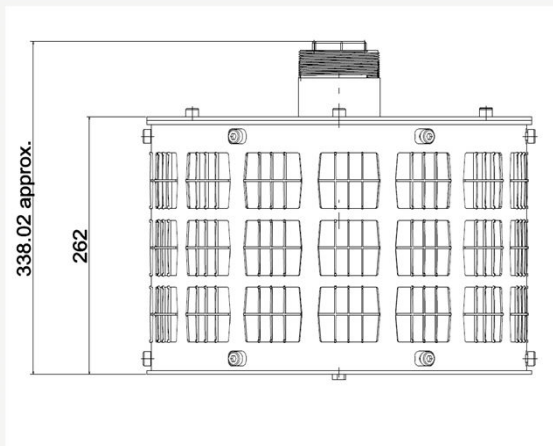
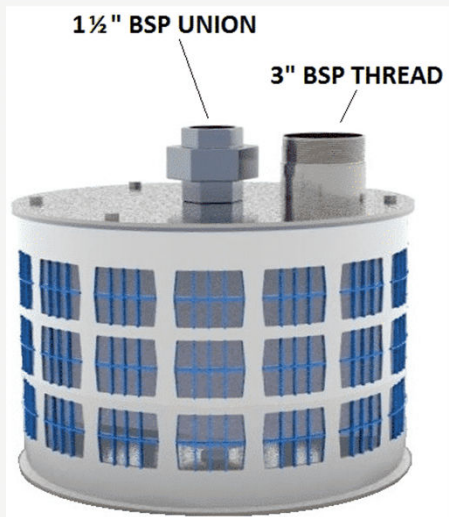
Model	Max pump output (m3/h)	Mesh Type	Mesh Size Options	Backwash Volume Required (m3/h)
RF400AR	60	Nylon	60, 115, 300 micron	6.0-9.0
RF400AR	60	316 Stainless Steel	50, 100, 315 micron sintered / 1mm, 2mm, 3mm woven	6.0-9.0
RF400R	60	316 Stainless Steel	3mm or 6mm Perforated	6.0-9.0

*These models are available with US NPT Fittings

Dimensions and Weights

Model	Height (mm)	Filter Diameter (mm)	Filter Height	Weight (kg)	Pump Outlet	Backwash Outlet
RF400 All Models	340	420	262	19	3" BSP	1 1/2" BSP

*Dimensions and weights are approximate



RF400AR with Nylon Inserts

Rotorflush RF400 Range Self-cleaning Filter

General Specifications

Self-cleaning Filter Construction

Component	RF400 All Models
Filter cage and lid	304 Stainless Steel
Central turbine	304 Stainless Steel
Jets	Food Grade Natural Rubber
Bearings	Acetal copolymer

Note: 316 marine grade stainless steel is an option for all RF400 filters